

APPLICATION

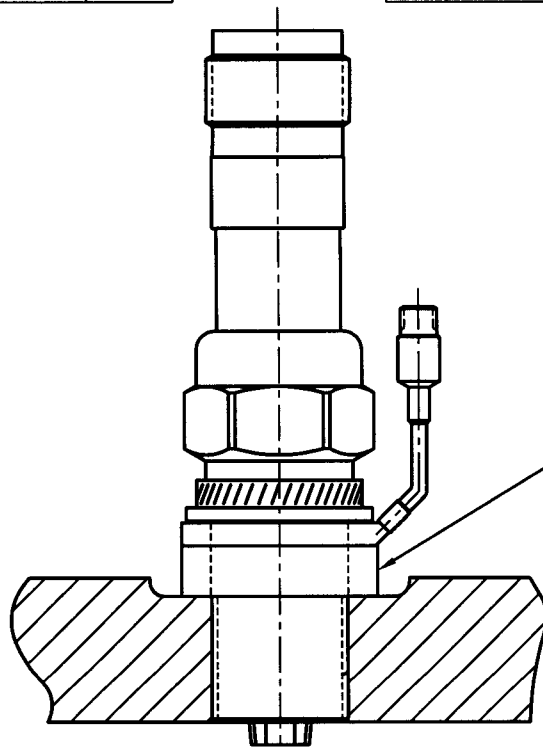
NEXT ASS'Y	USED ON	VAR

REVISIONS

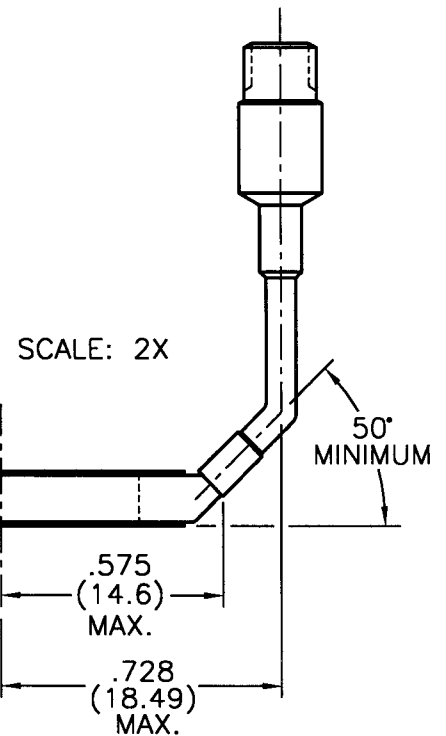
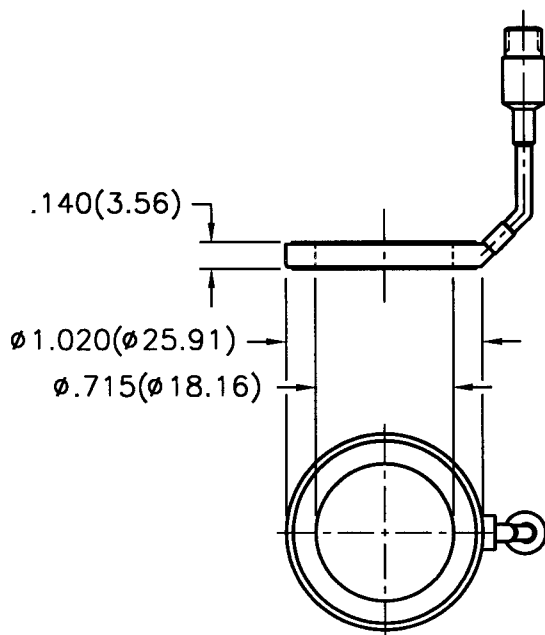
REV	DESCRIPTION	ECN	DATE	APP'D
C	REVISED PER ECN	10039	2/2/99	DMZ/99

2834

PCB Piezotronics Inc. claims proprietary rights in the information disclosed hereon. Neither it nor any reproduction thereof will be disclosed to others without written consent of PCB Piezotronics Inc.



PCB MOD. 080M188
.250 (6.35) THICK
MATERIAL, BeCu
(SUPPLIED)



SCALE: 2X

1.) PRELOAD SENSOR WITH OILED SPARK PLUG THREADS, 25-30 FOOT POUNDS, (34-40 NEWTON METERS).

UNLESS SPECIFIED TOLERANCES		DRAWN	MDD	2/2/99	MFG	JBS	2/5/99	 3425 WALDEN AVE. DEPEW, NY 14043 (716) 684-0001 EMAIL: SALES@PCB.COM
DIMENSIONS IN INCHES	DIMENSIONS IN MILLIMETERS (IN PARENTHESIS)	CHK'D	DM	2/2/99	ENGR	PL	2/3/99	
DECIMALS XX ±.01 XXX ±.005	DECIMALS XX ±0.3 XXX ±0.13	APP'D	ACT	2-3-99	Sales	SBC	2-8-99	
ANGLES ±2 DEGREES	ANGLES ±2 DEGREES	TITLE		INSTALLATION DRAWING MODEL 140A18 KNOCK SENSOR				
FILLETS AND RADII .003 - .005	FILLETS AND RADII (0.07 - 0.13)	CODE IDENT. NO.		52681		DWG. NO.		2834
DD011 REV. B 03/13/98		SCALE:		FULL		SHEET 1 OF 1		