

123-1210-90

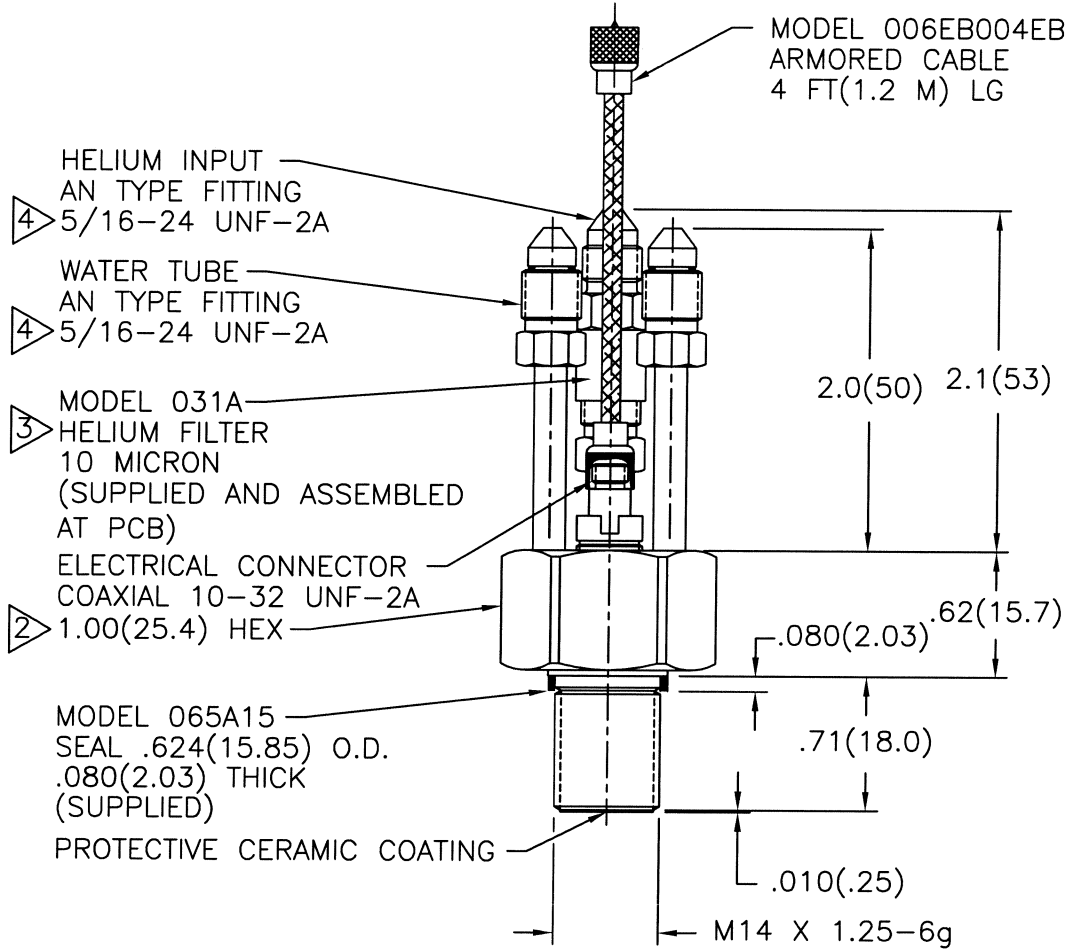
PCB Piezotronics Inc. claims proprietary rights in the information disclosed hereon. Neither it nor any reproduction thereof will be disclosed to others without written consent of PCB Piezotronics Inc.

APPLICATION

NEXT ASS'Y	USED ON	VAR

REVISIONS

REV	DESCRIPTION	ECN	DATE	APP'D
G	REVISED PER ECR	12593	11/06/00	DM11/00
H	ADD FLAG NOTE 4	22945	10/06/05	dm10/05



- 4. RECOMMENDED MOUNTING TORQUE : 15-30 INCH POUNDS[1.7-3.4 NEWTON METERS]
- 3. SUPPORT .375(9.53) HEX ON FILTER WHEN ATTACHING LINE TO AVOID DAMAGE TO HELIUM INPUT TUBE.
- 2. RECOMMENDED MOUNTING TORQUE ON 1.00(25.4) HEX 10-15 FOOT POUNDS (13-20 NEWTON METERS).

1.) SEE SHEET TWO FOR MOUNTING HOLE PREPARATION.

UNLESS SPECIFIED TOLERANCES		DRAWN	ECB	10/6/05	MFG	RC	10/18/05	 3425 WALDEN AVE. DEPEW, NY 14043 (716) 684-0001 EMAIL: SALES@PCB.COM
DIMENSIONS IN INCHES	DIMENSIONS IN MILLIMETERS [IN BRACKETS]	CHK'D	DM	10/18/05	ENGR	RF	10/19/05	
DECIMALS XX ±.03 XXX ±.010	DECIMALS X ±0.8 XX ±0.25	APP'D	WEM	10/18/05	SALES	Jmm	10/18/05	
ANGLES ±2 DEGREES	ANGLES ±2 DEGREES	TITLE						SCALE: FULL
FILLET AND RADII .003 - .005	FILLET AND RADII [0.07 - 0.13]	INSTALLATION DRAWING MODELS 123A21, 22, 23, & 24 HELIUM BLEED, WATER COOLED SENSOR						SHEET 1 OF 2
DD011 REV. C 01/21/03								

123-1210-90

PCB Piezotronics Inc. claims proprietary rights in the information disclosed herein. Neither it nor any reproduction thereof will be disclosed to others without written consent of PCB Piezotronics Inc.

APPLICATION

NEXT ASS'Y	USED ON	VAR

REVISIONS

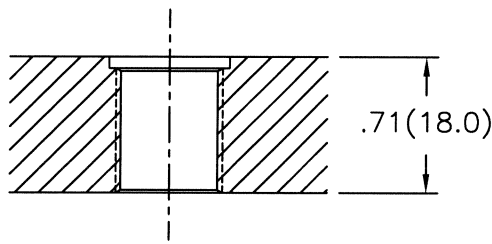
REV	DESCRIPTION	ECN	DATE	APP'D
	- SEE SHEET ONE -			DM 10/05

MOUNTING HOLE PREPARATION:

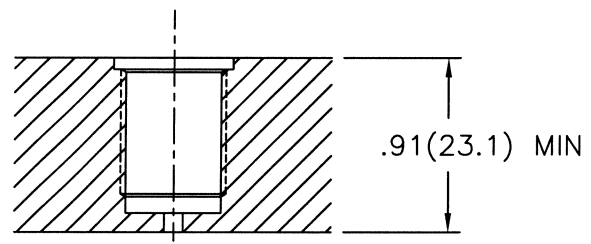
$\phi .500 [12.70]$   
 THRU  
 $\sqsupset \phi .625 [\phi 15.88] \triangle 1$   
 $X .060 [1.52] \nabla$   
 M14 X 1.25-6H  
 THRU

MOUNTING HOLE PREPARATION:

$\phi .100 [2.54]$   
 THRU  
 $\sqsupset \phi .500 [\phi 12.70]$   
 $X .810 [20.57] \nabla$   
 $\sqsupset \phi .625 [\phi 15.88] \triangle 1$   
 $X .060 [1.52] \nabla$   
 M14 X 1.25-6H  
 $X .720 [18.29] \nabla$



FLUSH MOUNT



RECESS MOUNT

$\triangle 1$  SEAL SURFACE MUST BE FLAT AND FREE OF TOOL MARKS WITH  $63\sqrt{1.6}$  FINISH.

UNLESS SPECIFIED TOLERANCES		DRAWN	ECB	10/05	MFG	RC	10/18/05	 3425 WALDEN AVE. DEPEW, NY 14043 (716) 684-0001 EMAIL: SALES@PCB.COM
DIMENSIONS IN INCHES	DIMENSIONS IN MILLIMETERS [IN BRACKETS]	CHK'D	DM	10/18/05	ENGR	RF	10/7/05	
DECIMALS XX $\pm .03$	DECIMALS X $\pm 0.8$	APP'D	WEH	10/18/05	SALES	Jmm	10/11/05	CODE IDENT. NO. 52681
XXX $\pm .010$	XX $\pm 0.25$	TITLE						DWG. NO.
ANGLES $\pm 2$ DEGREES	ANGLES $\pm 2$ DEGREES	INSTALLATION DRAWING						123-1210-90
FILLETS AND RADII .003 - .005	FILLETS AND RADII [0.07 - 0.13]	MODELS 123A21, 22, 23, & 24						SCALE: FULL
DD011 REV. C 01/21/03		HELIUM BLEED, WATER COOLED SENSOR						SHEET 2 OF 2