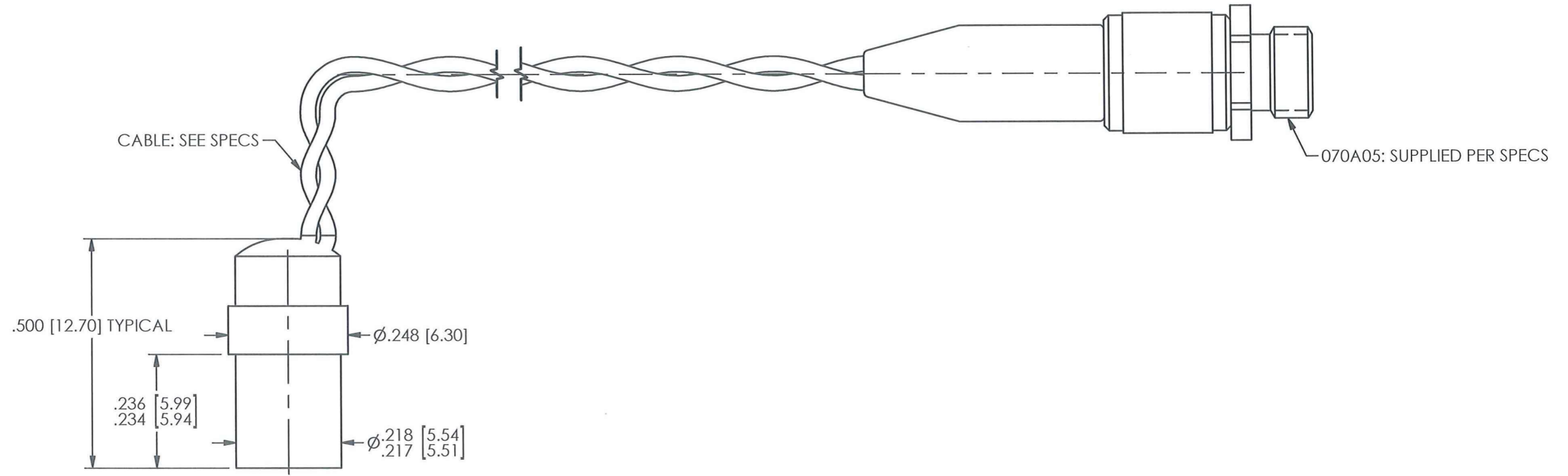


55522

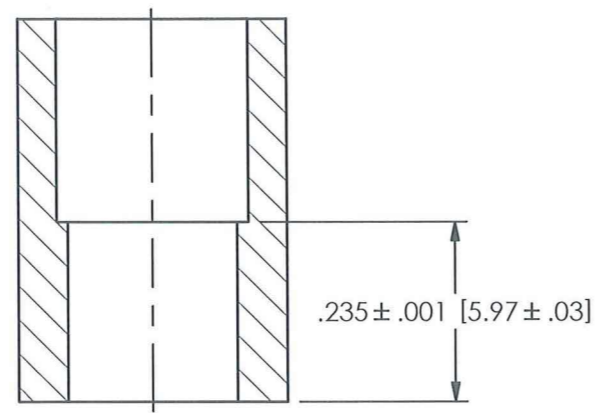
PCB Piezotronics Inc. claims proprietary rights in the information disclosed hereon. Neither it nor any reproduction thereof will be disclosed to others without the written consent of PCB Piezotronics Inc.

REVISIONS		
REV	DESCRIPTION	DIN
NR	RELEASED TO DRAFTING	41958



MOUNTING HOLE PREPARATION:

- 1  $\nabla$   $\varnothing.221 \pm .002$  [5.61  $\pm$  .05] THRU
- 2  $\nabla$   $\perp \varnothing.250^{+.003}_{-.000}$  [3.65  $^{+.08}_{-.00}$ ] TO DEPTH SHOWN



- 2  $\nabla$  MOUNTING SURFACE SHOULD BE FLAT TO WITHIN .001 [0.03] TIR OVER  $\varnothing.272$  [6.91] WITH A MINIMUM 63 [1.6] FINISH FOR BEST RESULTS.
- 1  $\nabla$  DRILL PERPENDICULAR TO MOUNTING SURFACE TO WITHIN  $\pm 1^\circ$ .

UNLESS OTHERWISE SPECIFIED TOLERANCES ARE:		DRAWN	CHECKED	ENGINEER	 3425 WALDEN AVE. DEPEW, NY 14043 (716) 684-0001 E-MAIL: sales@pcb.com
DIMENSIONS IN INCHES	DIMENSIONS IN MILLIMETERS [IN BRACKETS]	JDM	9/20/13	JDK	
DECIMALS XX $\pm .01$ XXX $\pm .005$	DECIMALS X $\pm 0.3$ XX $\pm 0.13$	TITLE			CODE IDENT. NO. 52681
ANGLES $\pm 2$ DEGREES	ANGLES $\pm 2$ DEGREES	INSTALLATION DRAWING MODEL 112M362 PRESSURE SENSOR			DWG. NO. 55522
FILLETS AND RADII .003 - .005	FILLETS AND RADII 0.07 - 0.13				SCALE: 4X SHEET 1 OF 1

improves: 07-01 0/22/2012