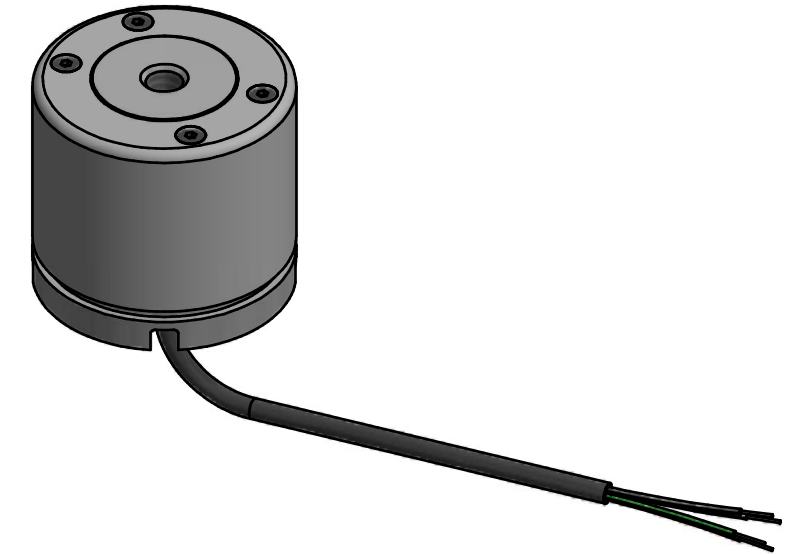
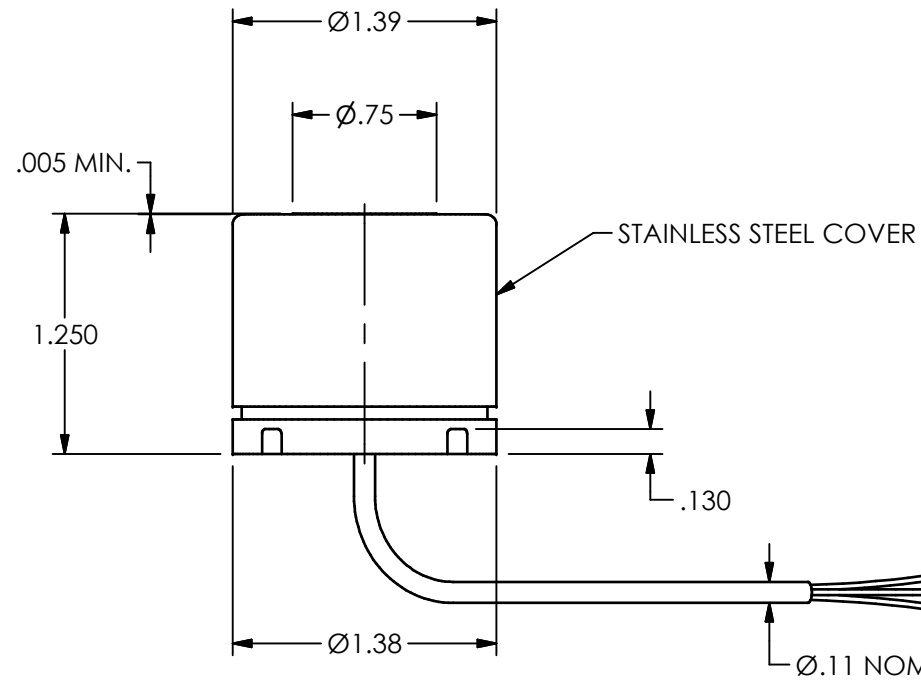
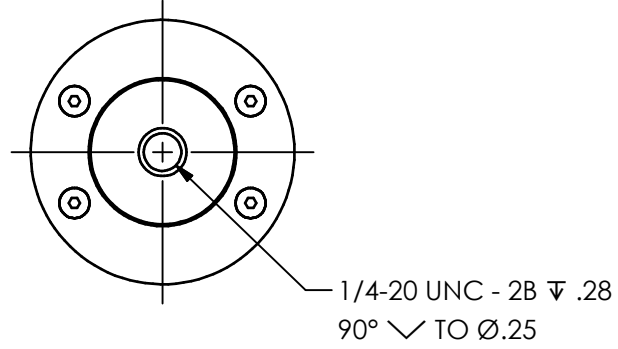


PCB Load & Torque (A Division of PCB Piezotronics, Inc.) claims proprietary rights in the information disclosed hereon. Neither it nor any reproduction thereof will be disclosed to others without the written consent of PCB Load and Torque.

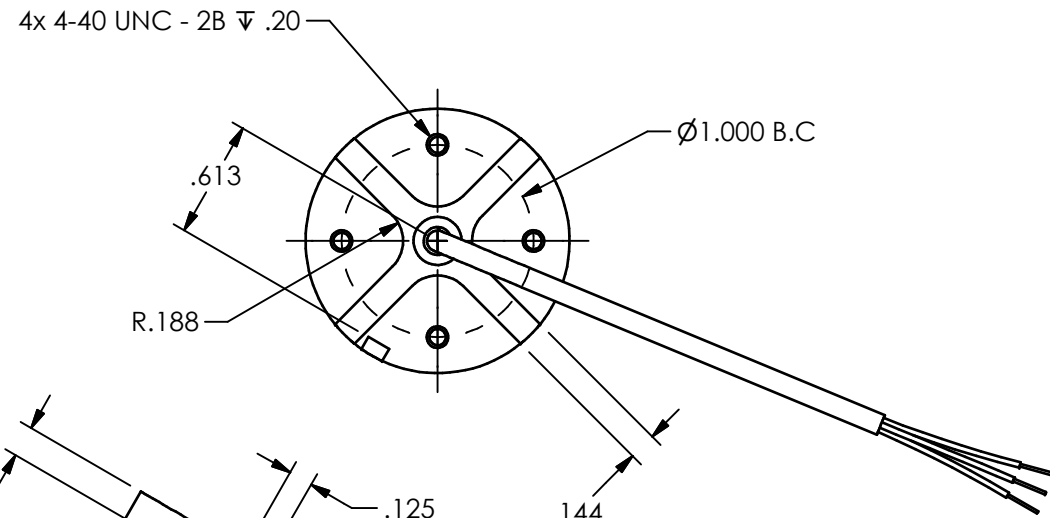
74950


REVISIONS

REV	DESCRIPTION	ECO
B	ADDED -01C SERIES - 02.06.23, PTE	53590



4 CONDUCTOR CABLE, 18 IN. LONG
WIRING CODE (RS WIRING CODE)
RED +EXC.
GRN -SIG.
WHT +SIG.
BLK -EXC.



UNLESS OTHERWISE SPECIFIED TOLERANCES ARE:		DRAWN		CHECKED		ENGINEER		 24350 Indoplex Circle, Farmington Hills, MI 48335 (248) 888-8260 E-MAIL: liinfo@pcb.com	
DIMENSIONS IN INCHES	DIMENSIONS IN MILLIMETERS [IN BRACKETS]	PTE	04.29.14	JAM	05.04.21	JAM	05.04.21		
DECIMALS XX ±.01 XXX ±.005	DECIMALS X ±.3 XX ±.13	TITLE OUTLINE DRAWING SIDE FORCE TRANSDUCER 1903-01B, -01C SERIES							DWG. NO.
ANGLES ± .5 DEGREES	ANGLES ± .5 DEGREES								74950
FILLETS AND RADII .015 MAX	FILLETS AND RADII 0.38 MAX	SCALE: FULL SHEET 1 OF 1							