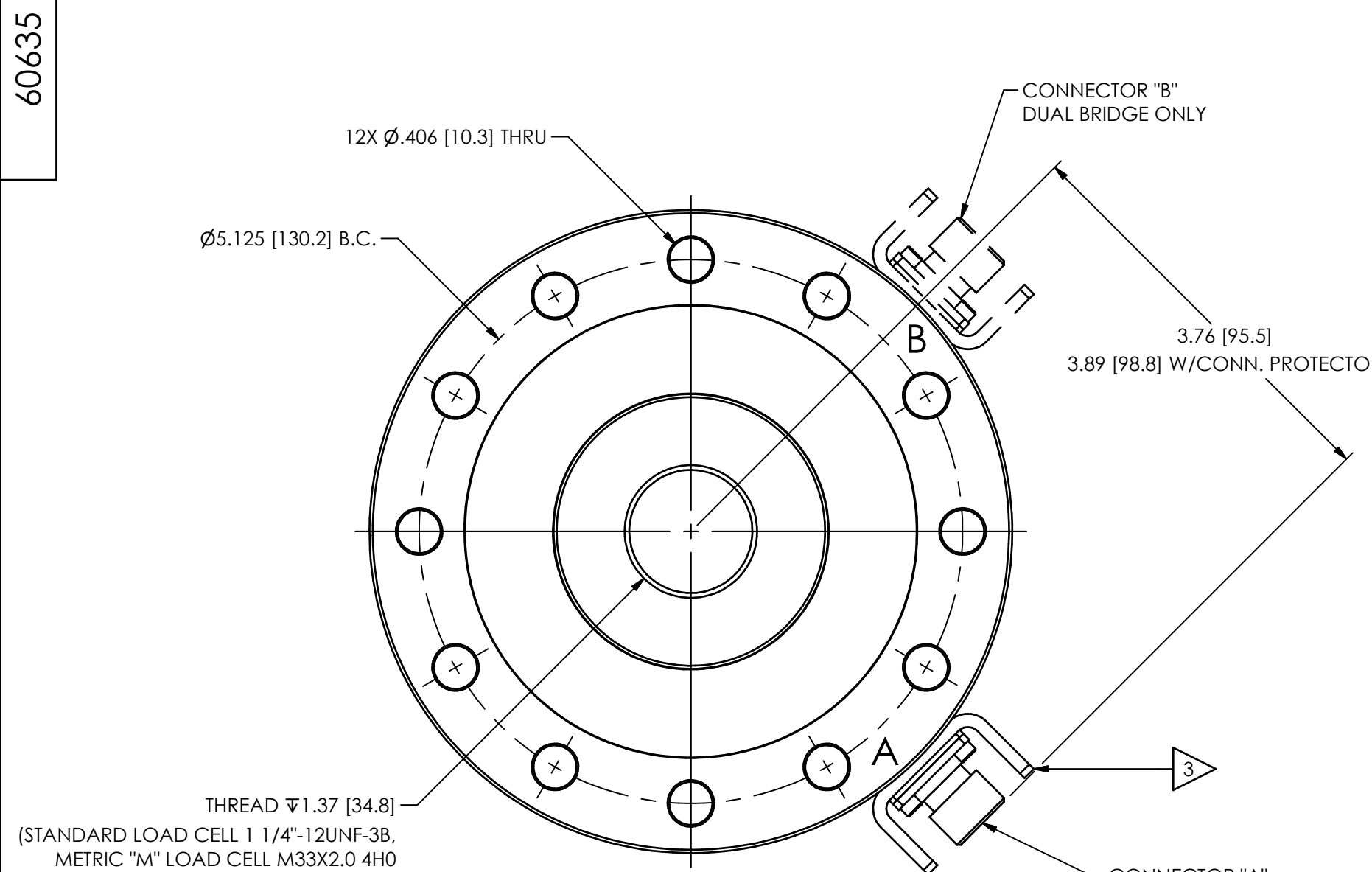


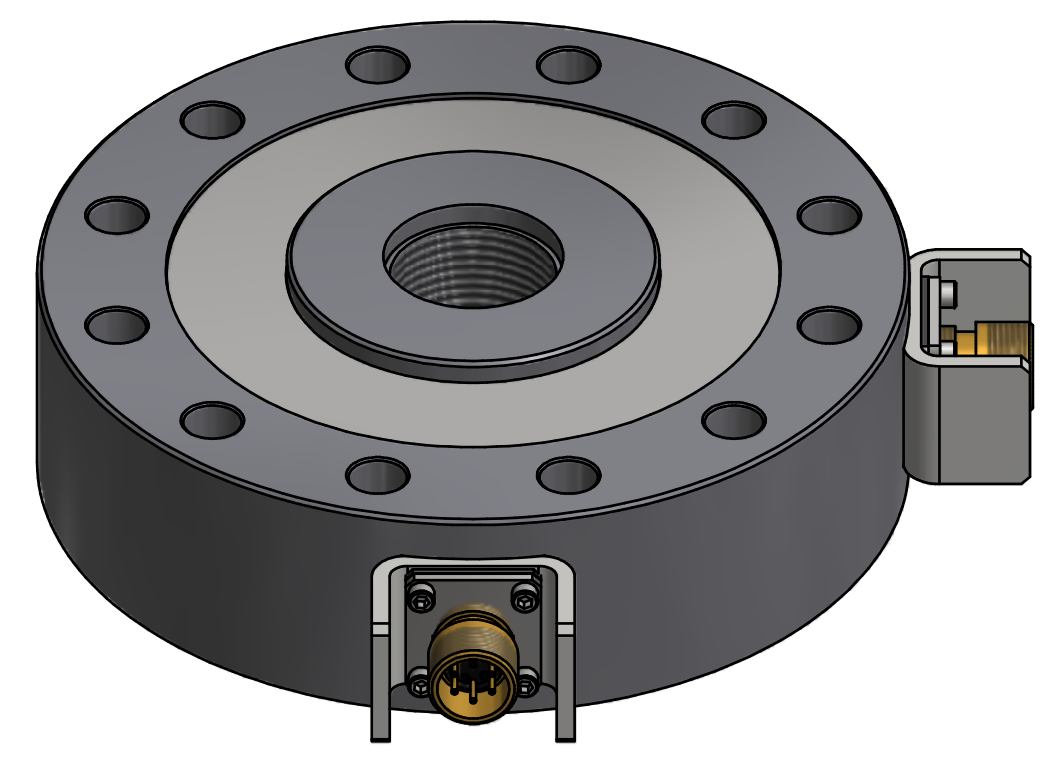
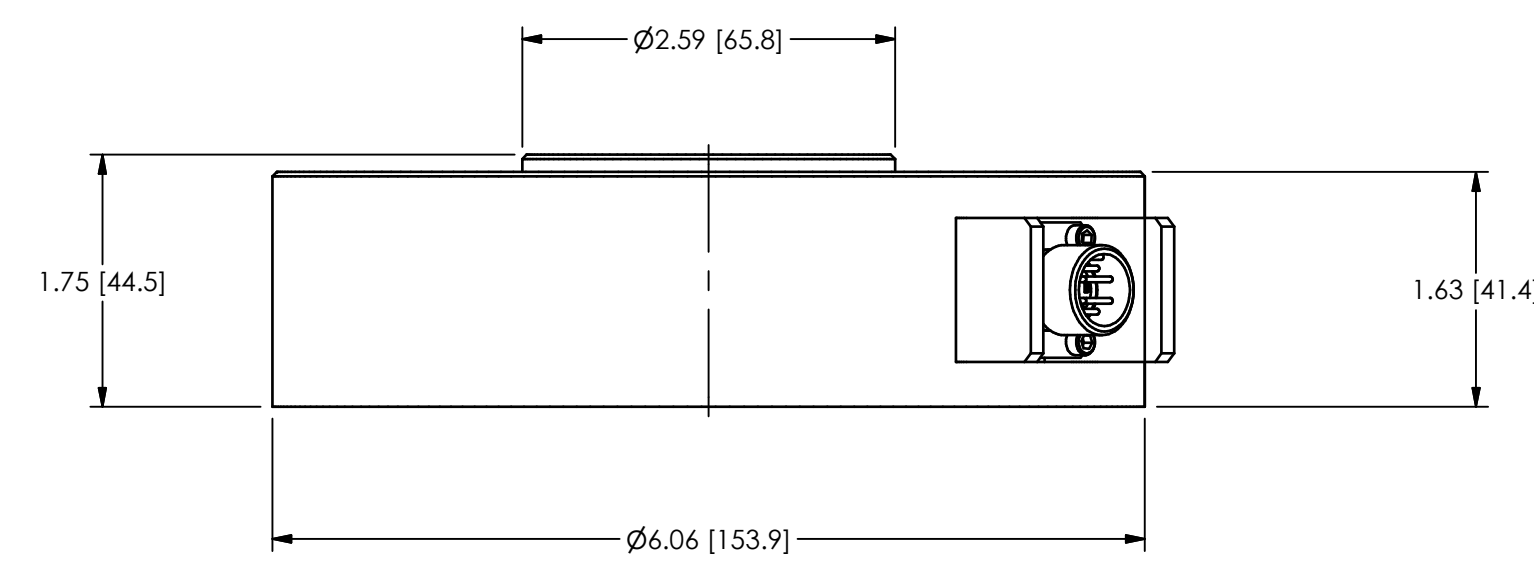
PCB Load & Torque Inc. claims proprietary rights in the information disclosed herein. Neither it nor any reproduction thereof will be disclosed to others without the written consent of PCB Load & Torque Inc.

| REVISIONS | | |
|-----------|---|-------|
| REV | DESCRIPTION | ECO |
| NR | RELEASED FOR PRODUCTION - 01.06.15, PTE | 43685 |



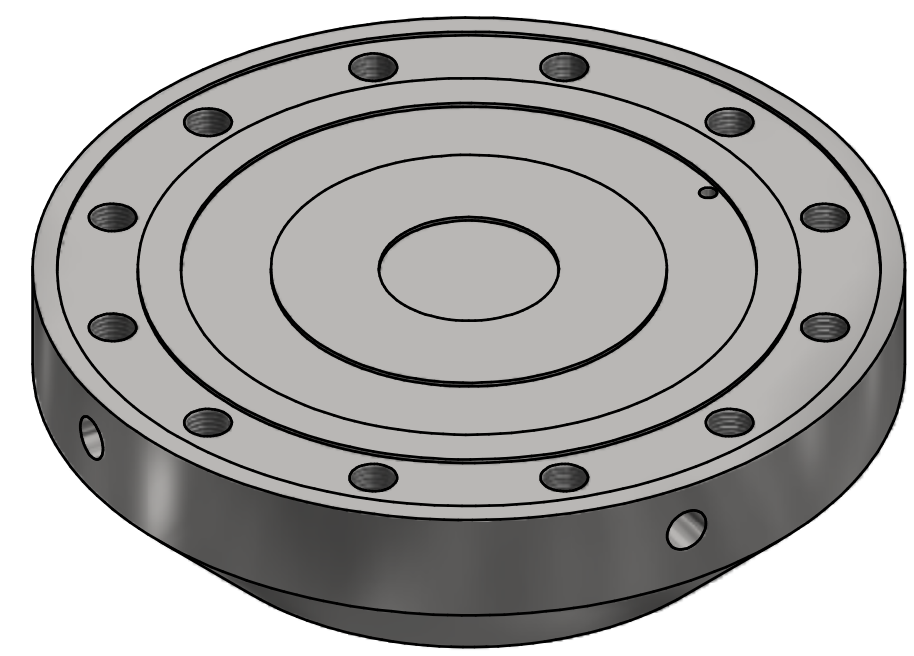
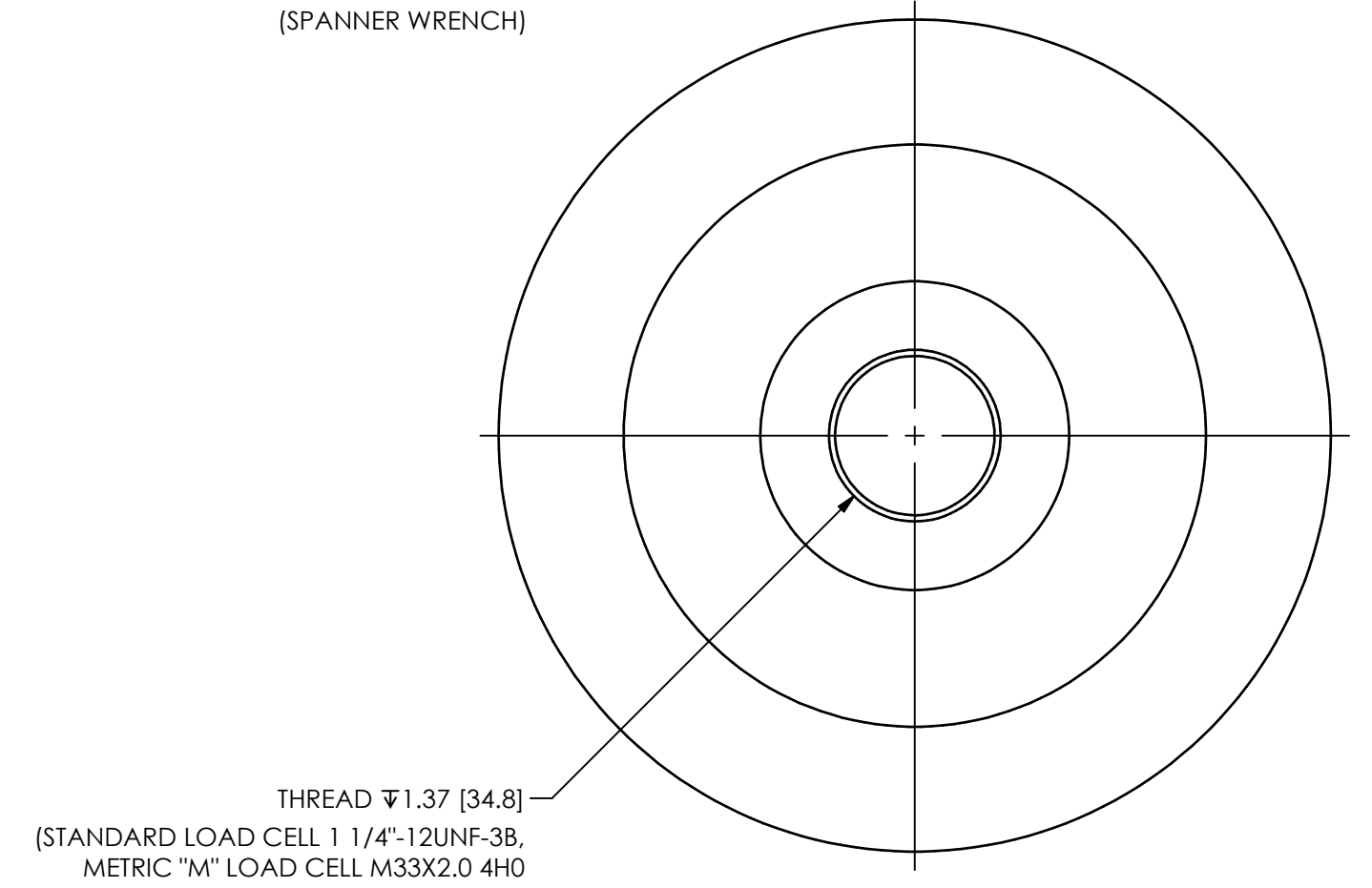
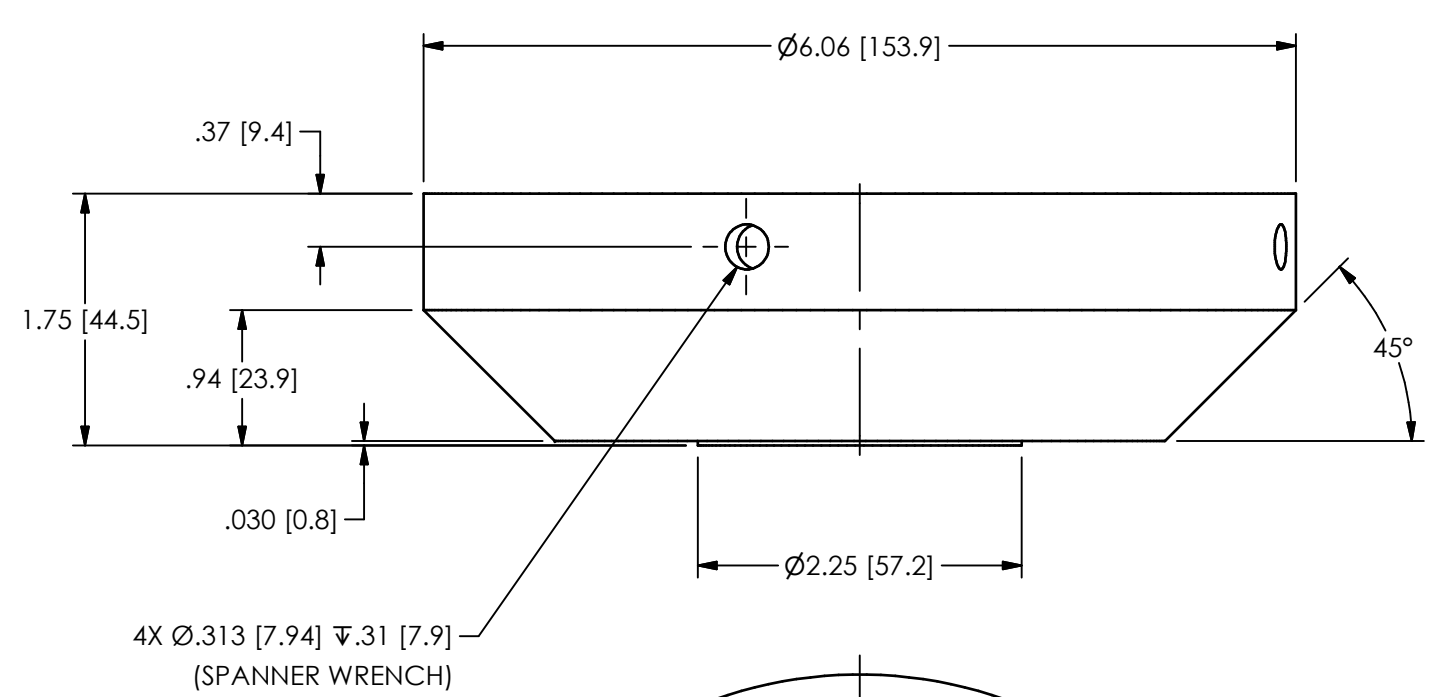
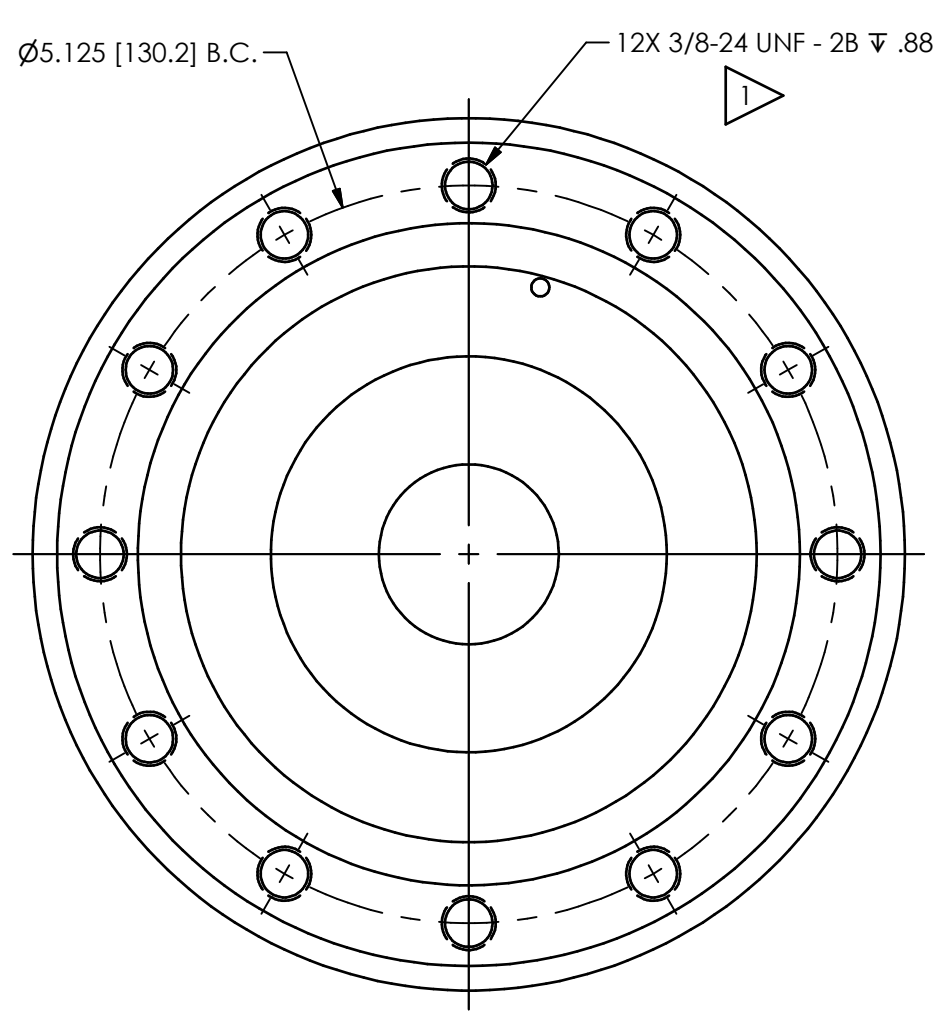
THREAD ∇ 1.37 [34.8]
 (STANDARD LOAD CELL 1 1/4"-12UNF-3B,
 METRIC "M" LOAD CELL M33X2.0 4H0)

CONNECTOR "A"
 PCO2A-10-6P CONNECTOR
 WIRING CODE: TYPICAL
 PIN A +EXC.
 PIN B +SIG.
 PIN C -SIG.
 PIN D -EXC.
 PIN E N/C
 PIN F N/C

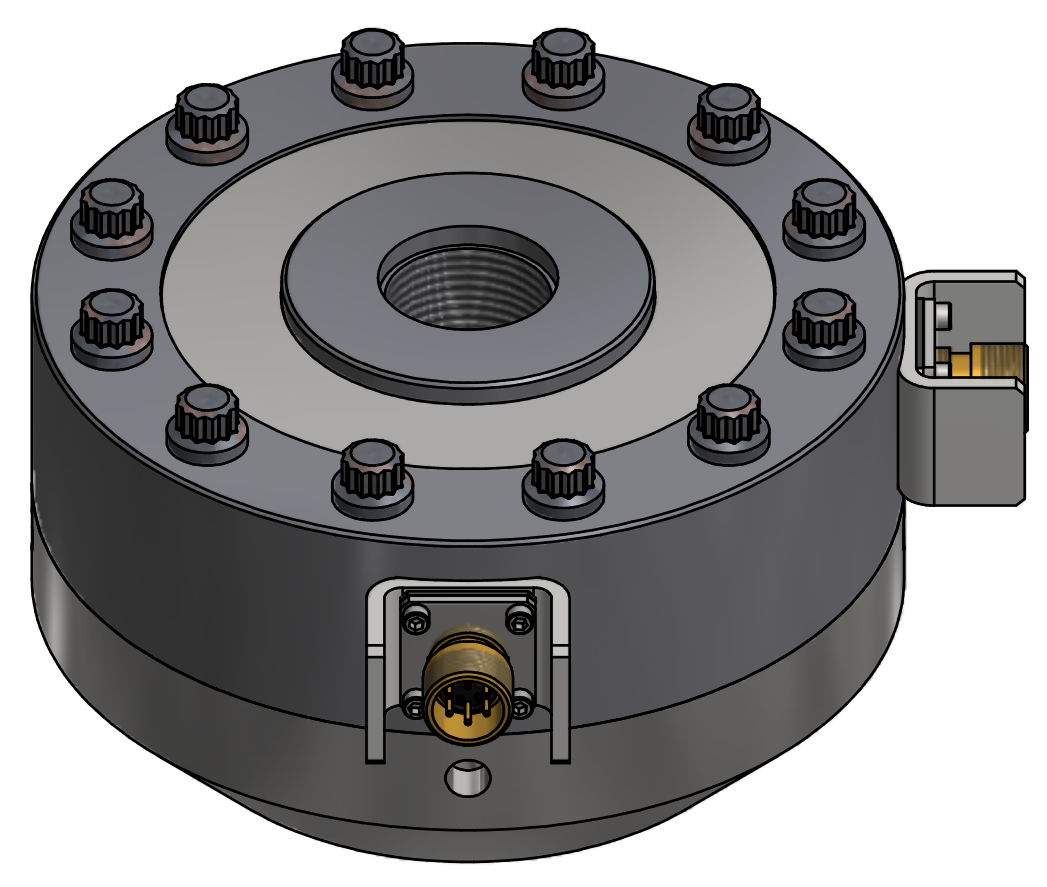
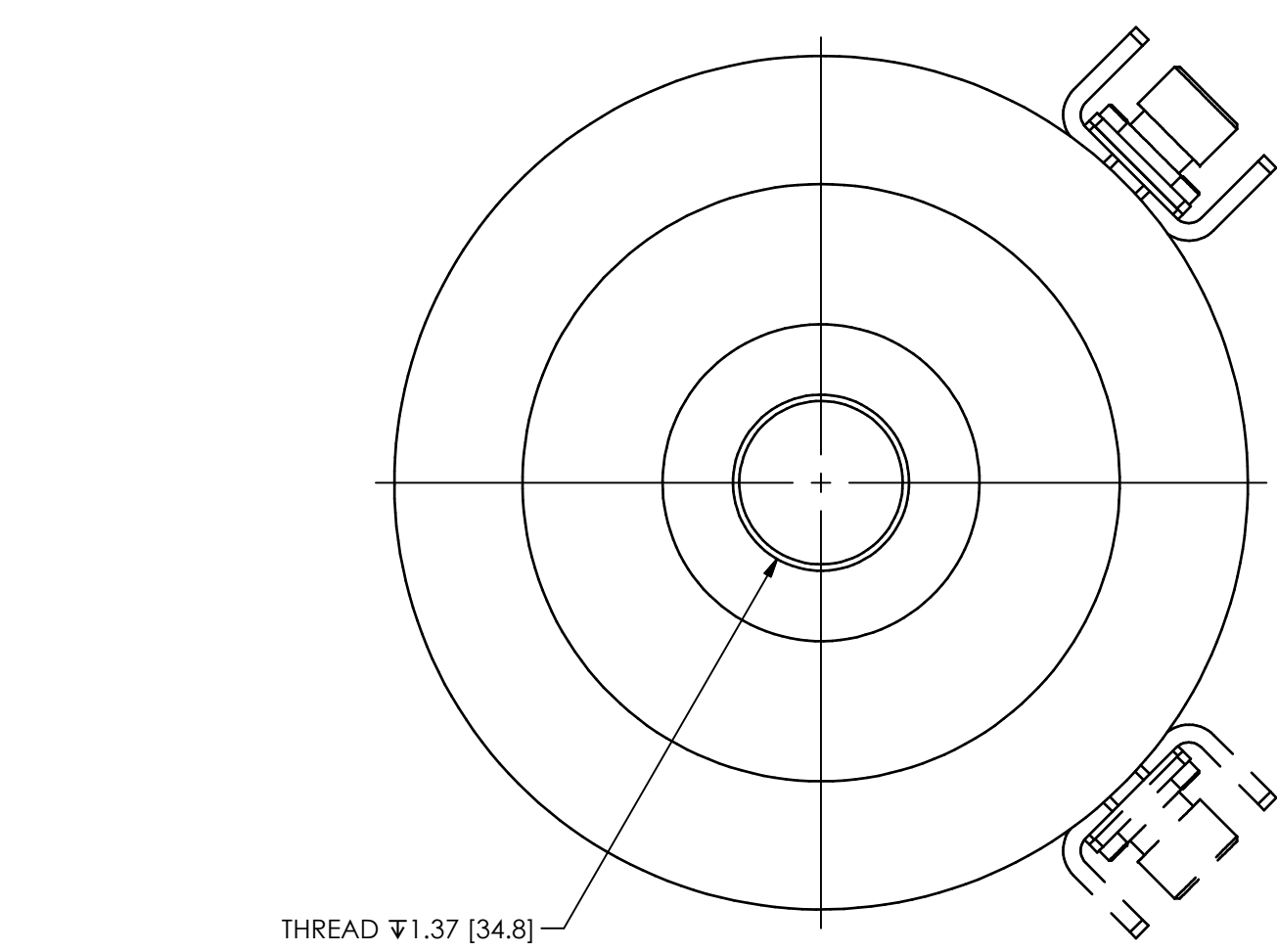
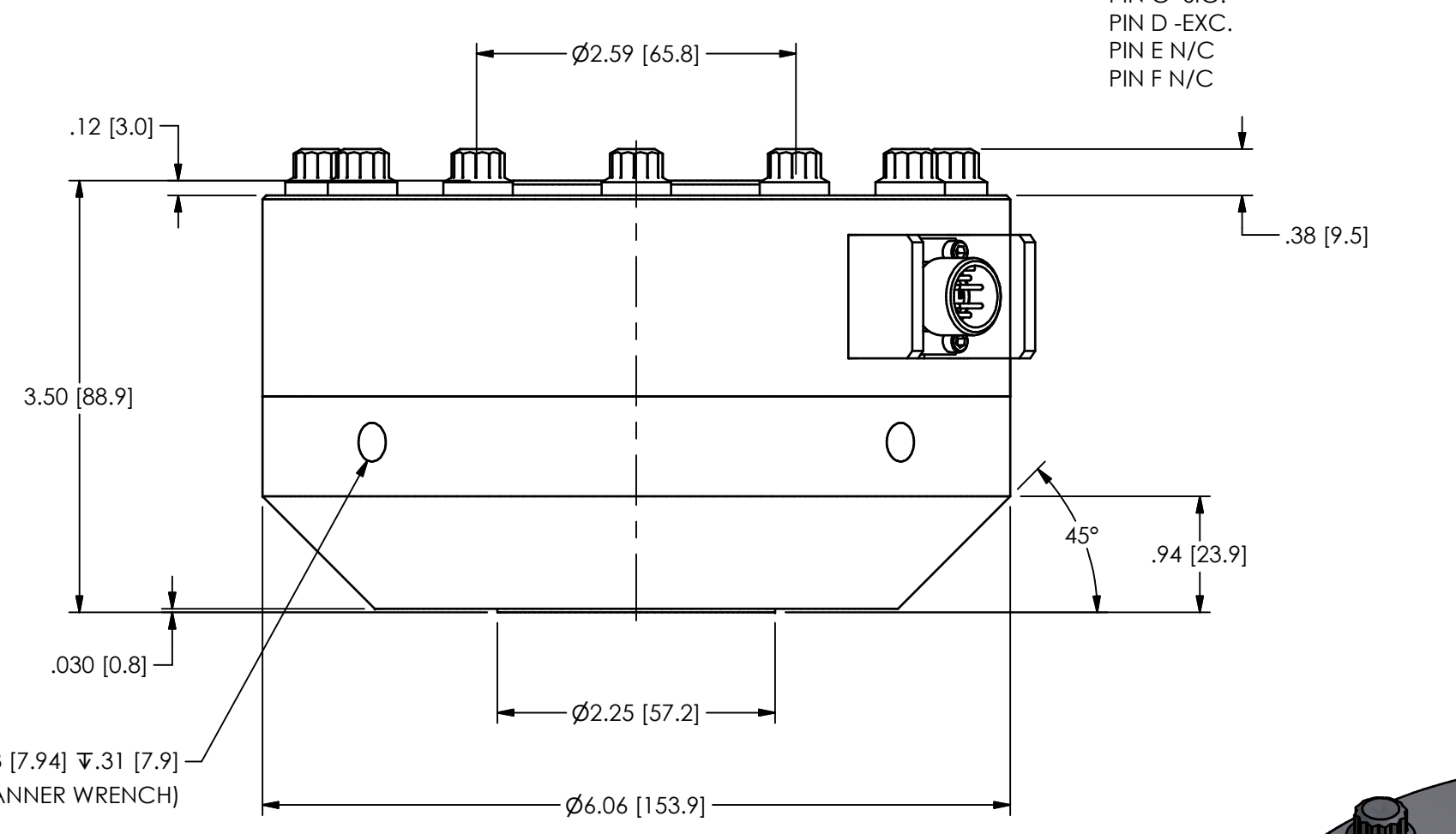
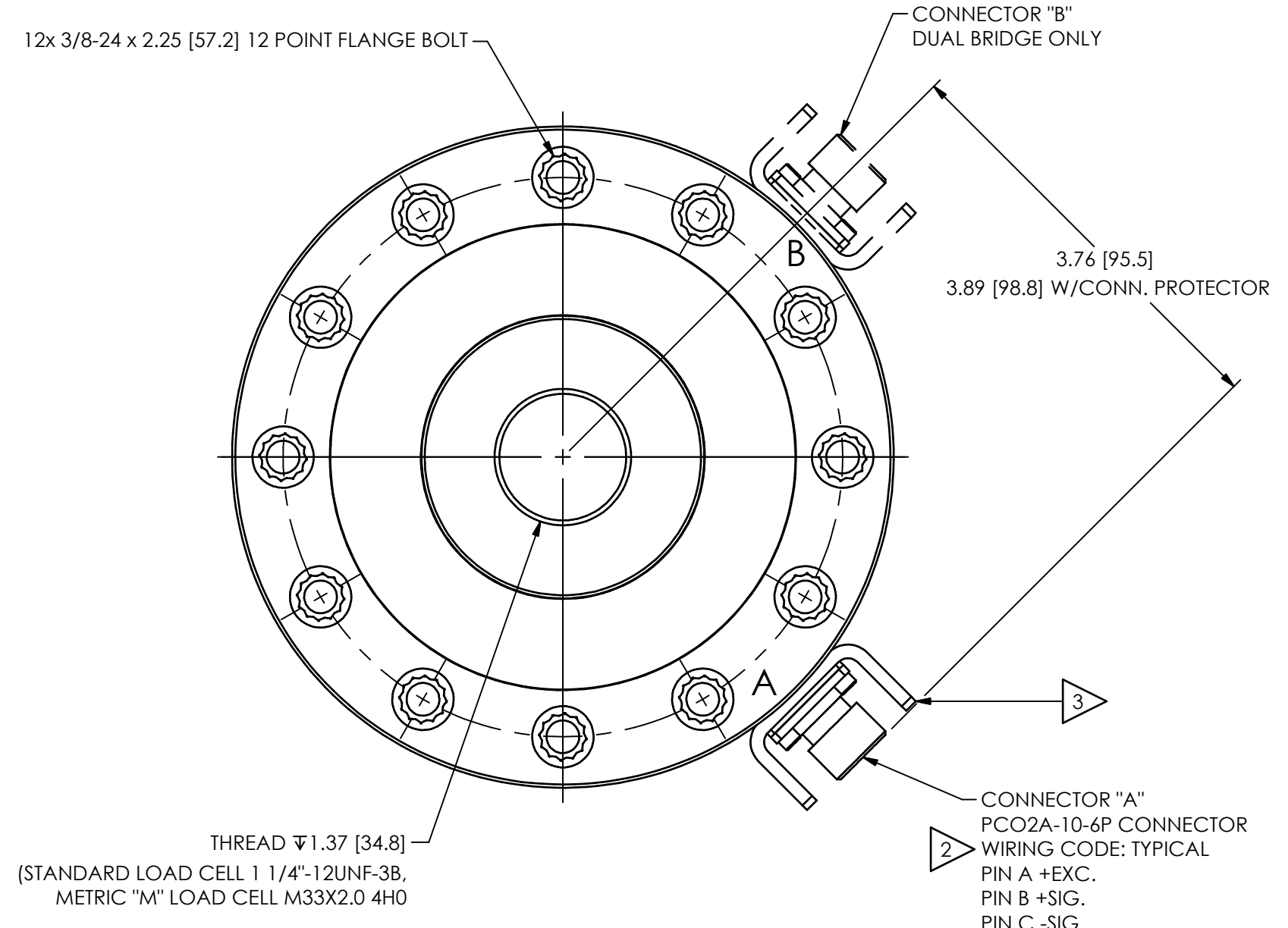


1204, M1204, 1404 AND M1404 SERIES LOAD CELLS INCLUDING DUAL BRIDGE

- 3 MODEL 084A901 CONNECTOR PROTECTOR SHOWN: OPTIONAL ON ALL 1204/M1204 SERIES AND 1404/M1404 SERIES SINGLE BRIDGE LOAD CELLS STANDARD ON ALL 1404/M1404 SERIES DUAL BRIDGE LOAD CELLS
- 2 WIRING CODE FOR "T" SERIES LOAD CELLS
 PIN A +EXC.
 PIN B +SIG.
 PIN C -SIG.
 PIN D -EXC.
 PIN E TEDS DATA
 PIN F TEDS GROUND
- 1 SUPPLIED WITH MATING FASTENERS



1204, M1204, 1404 AND M1404 SERIES BASES



1204, M1204, 1404 AND M1404 SERIES LOAD CELLS W/BASES INCLUDING DUAL BRIDGE

| UNLESS OTHERWISE SPECIFIED TOLERANCES ARE: | | DRAWN | CHECKED | ENGINEER | PCB LOAD & TORQUE A PCB GROUP COMPANY |
|--|---|---|--------------|--------------|--|
| DIMENSIONS IN INCHES | DIMENSIONS IN MILLIMETERS [IN BRACKETS] | PTE 12.23.14 | PTE 12.23.14 | PTE 12.23.14 | |
| DECIMALS XX ±.01 XXX ±.005 | DECIMALS X ±0.3 XX ±0.13 | TITLE OUTLINE DRAWING 1204/1404 SERIES, PC CONNECTOR LOW PROFILE LOAD CELL | | | 24530 Indoplex Circle, Farmington Hills, MI 48335 [714] 684-0001 E-MAIL: info@pcbloadtorque.com |
| ANGLES ± .5 DEGREES | ANGLES ± .5 DEGREES | DWG. NO. 60635 | | | SCALE: 3/4 SHEET 1 OF 1 |
| FILLETS AND RADI Ø15 MAX | FILLETS AND RADI Ø15 MAX | | | | |