

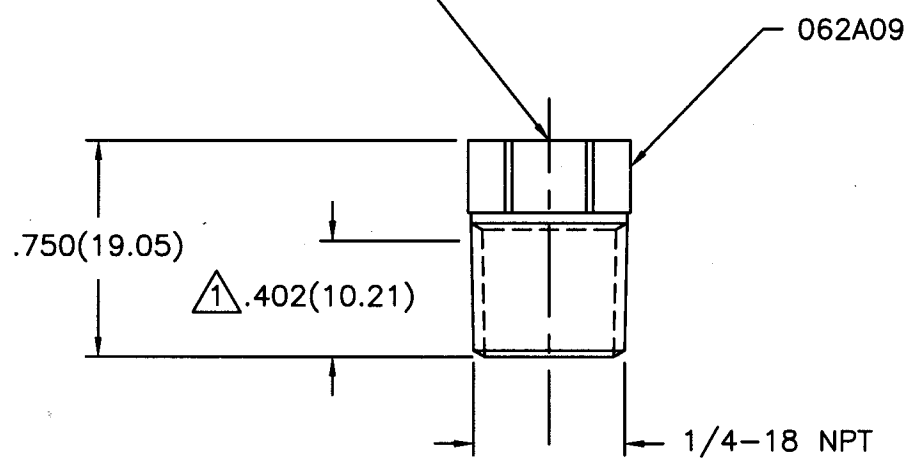
23399

PCB Piezotronics Inc. claims proprietary rights in the information disclosed hereon. Neither it nor any reproduction thereof will be disclosed to others without written consent of PCB Piezotronics Inc.

APPLICATION		
NEXT ASS'Y	USED ON	VAR

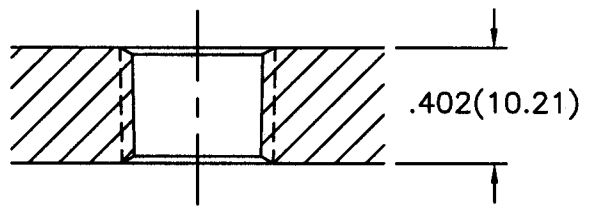
REVISIONS				
REV	DESCRIPTION	ECN	DATE	APP'D
NR	RELEASED TO DRAFTING		7/10/03	<i>km</i>

5/16-24 UNF-2B
FOR 111, 112, 113 SERIES



MOUNTING HOLE PREPARATION:

- Ø.437(Ø11.10)
- X .402(10.21) ▽ MIN.
- 1/4-18 NPT
- X .402(10.21) ▽



2.) USE PIPE JOINT COMPOUND TO ASSURE TIGHT SEAL.

1 MAXIMUM INSERTION OF THREAD INTO MOUNTING HOLE.

UNLESS SPECIFIED TOLERANCES		DRAWN				MFG		PCB PIEZOTRONICS	
DIMENSIONS IN INCHES	DIMENSIONS IN MILLIMETERS (IN PARENTHESIS)	<i>ECB</i>	<i>7/10/03</i>	ENGR	<i>JDS</i>	<i>7/10/03</i>	3425 WALDEN AVE. DEPEW, NY 14043 (716) 684-0001 EMAIL: SALES@PCB.COM		
DECIMALS XX ±.01	DECIMALS XX ±0.3	CHK'D	<i>RM</i>	<i>7/10/03</i>	SALES	<i>MJD</i>	<i>7/10/03</i>	CODE IDENT. NO.	DWG. NO.
XXX ±.005	XXX ±0.13	APP'D	<i>WSH</i>	<i>7/14/03</i>				52681	23399
ANGLES ±2 DEGREES	ANGLES ±2 DEGREES	TITLE						SCALE: 1.5X	
FILLETS AND RADII .003 - .005	FILLETS AND RADII (0.07 - 0.13)	INSTALLATION DRAWING MODEL 062A09 THREAD ADAPTOR						SHEET 1 OF 1	
DD011 REV. B 03/13/98									