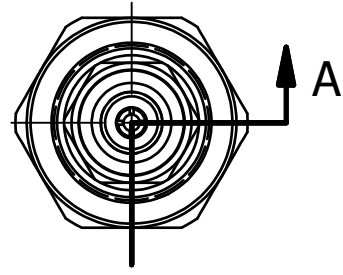


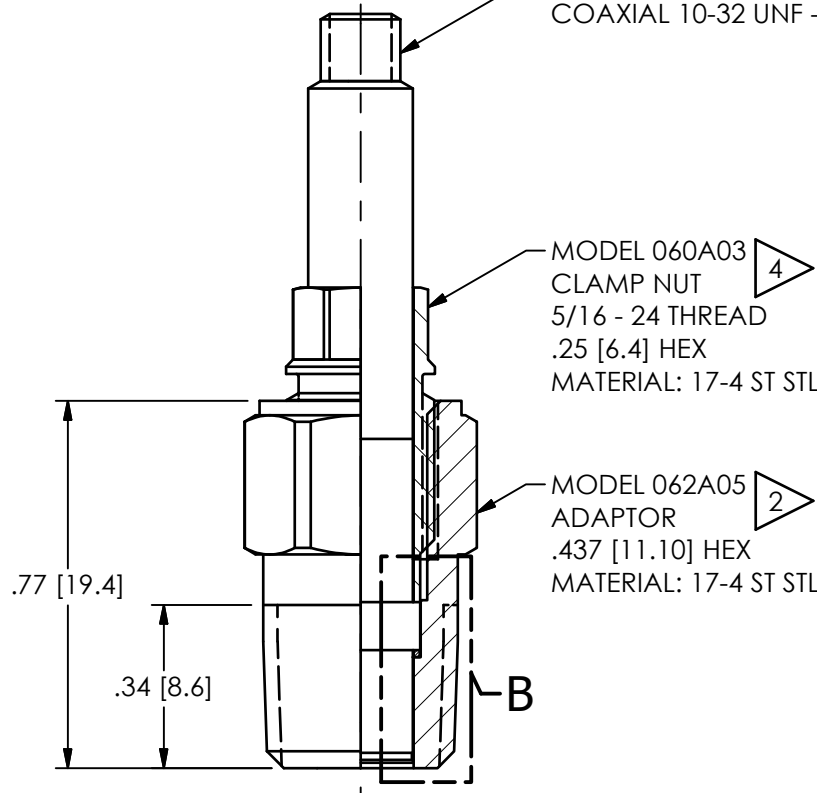
PCB Piezotronics Inc. claims proprietary rights in the information disclosed hereon. Neither it nor any reproduction thereof will be disclosed to others without the written consent of PCB Piezotronics Inc.

24306

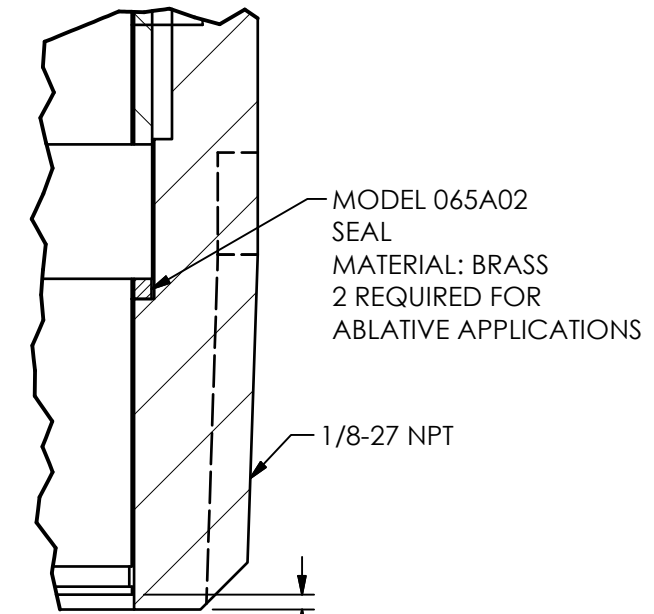
| REVISIONS |              |       |
|-----------|--------------|-------|
| REV       | DESCRIPTION  | DIN   |
| A         | ADDED NOTE 4 | 48296 |



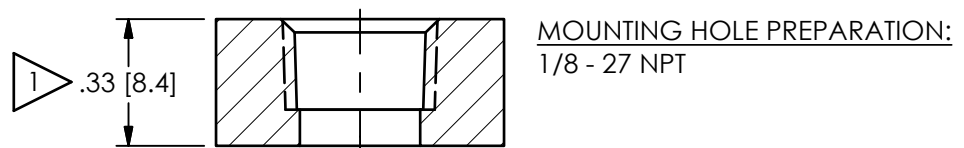
ELECTRICAL CONNECTOR  
COAXIAL 10-32 UNF - 2A



SECTION A-A



DETAIL B  
SCALE 7X



MOUNTING HOLE PREPARATION:  
1/8 - 27 NPT

- 4 MOUNTING TORQUE ON 1/4 HEX, 25-35 in-lbs [2.82-3.95Nm]
- 3 RTV ABLATIVE COATING IS APPLIED TO THE DIAPHRAGM FOR FLASH TEMPERATURE PROTECTION, REPLACE WITH: MOMENTIVE RTV106 ADHESIVE SEALANT BLACK VINYL ELECTRICIANS TAPE HAS ALSO BEEN FOUND TO BE AN EFFECTIVE ABLATIVE MATERIAL AS IS DC-4 SILICONE GREASE
- 2 MOUNTING TORQUE ON .437 [11.1] HEX 5-8 ft-lbs [57-90 Ncm]
- 1 ABOVE INSTALLATION SHOWN FOR WALL THICKNESS OF .33 [8.4], COUNTERBORE THICKER WALLS  $\phi$ .75 [ $\phi$ 19.1] TO CLEAR .437 [11.10] HEX AND ALLOW FOR SOCKET WRENCH

| UNLESS OTHERWISE SPECIFIED TOLERANCES ARE: |   | DRAWN  |         | CHECKED           |         | ENGINEER                 |         |
|--|---|--|---------|-------------------|---------|--------------------------|---------|
| DIMENSIONS IN INCHES                       | DIMENSIONS IN MILLIMETERS [IN BRACKETS] | KRM  | 5/31/18 | KRM               | 5/31/18 | MJK                      | 5/31/18 |
| DECIMALS XX ±.01<br>XXX ±.005              | DECIMALS X ±.03<br>XX ±.013             | TITLE<br>INSTALLATION DRAWING<br>MODEL 062A05<br>PIPE THREAD ADAPTOR |         |                   |         |                          |         |
| ANGLES ± 2 DEGREES                         | ANGLES ± 2 DEGREES                      |  |         |                   |         |                          |         |
| FILLETS AND RADII<br>.003 - .005           | FILLETS AND RADII<br>0.07 - 0.13        | CODE IDENT. NO.<br>52681   |         | DWG. NO.<br>24306 |         | SCALE: 2.5X SHEET 1 OF 1 |         |

**PCB PIEZOTRONICS**  
3425 WALDEN AVE. DEPEW, NY 14043  
(716) 684-0001 E-MAIL: sales@pcb.com