



**Model 054116-01803**

**PCB L&T Fastener Force Washer, English, 1-in, 80 klb (355.6 kN), 5-ft Integral Cable w/pigtails**

**Installation and Operating Manual**

**For assistance with the operation of this product,  
contact the PCB Piezotronics, Inc.**

**Toll-free: 716-684-0001  
24-hour SensorLine: 716-684-0001  
Fax: 716-684-0987  
E-mail: [info@pcb.com](mailto:info@pcb.com)  
Web: [www.pcb.com](http://www.pcb.com)**



## Repair and Maintenance

PCB guarantees Total Customer Satisfaction through its “Lifetime Warranty Plus” on all Platinum Stock Products sold by PCB and through its limited warranties on all other PCB Stock, Standard and Special products. Due to the sophisticated nature of our sensors and associated instrumentation, **field servicing and repair is not recommended and, if attempted, will void the factory warranty.**

Beyond routine calibration and battery replacements where applicable, our products require no user maintenance. Clean electrical connectors, housings, and mounting surfaces with solutions and techniques that will not harm the material of construction. Observe caution when using liquids near devices that are not hermetically sealed. Such devices should only be wiped with a dampened cloth—never saturated or submerged.

In the event that equipment becomes damaged or ceases to operate, our Application Engineers are here to support your troubleshooting efforts 24 hours a day, 7 days a week. Call or email with model and serial number as well as a brief description of the problem.

## Calibration

Routine calibration of sensors and associated instrumentation is necessary to maintain measurement accuracy. We recommend calibrating on an annual basis, after exposure to any extreme environmental influence, or prior to any critical test.

PCB Piezotronics is an ISO-9001 certified company whose calibration services are accredited by A2LA to ISO/IEC 17025, with full traceability to SI through N.I.S.T. In addition to our standard calibration services, we also offer specialized tests, including: sensitivity at elevated or cryogenic temperatures, phase response, extended high or low frequency response, extended range, leak testing, hydrostatic pressure testing, and others. For more information, contact your local PCB Piezotronics distributor, sales representative, or factory customer service representative.

## Returning Equipment

If factory repair is required, our representatives will provide you with a Return Material Authorization (RMA) number, which we use to reference any information you have already provided and expedite the repair process. This number should be clearly marked on the outside of all returned package(s) and on any packing list(s) accompanying the shipment.

## Contact Information

PCB Piezotronics, Inc.  
3425 Walden Ave.  
Depew, NY14043 USA  
Toll-free: (800) 828-8840  
24-hour SensorLine: (716) 684-0001  
General inquiries: [info@pcb.com](mailto:info@pcb.com)  
Repair inquiries: [rma@pcb.com](mailto:rma@pcb.com)

For a complete list of distributors, global offices and sales representatives, visit our website, [www.pcb.com](http://www.pcb.com).

## Safety Considerations

This product is intended for use by qualified personnel who recognize shock hazards and are familiar with the precautions required to avoid injury. While our equipment is designed with user safety in mind, the protection provided by the equipment may be impaired if equipment is used in a manner not specified by this manual.

Discontinue use and contact our 24-Hour Sensorline if:

- Assistance is needed to safely operate equipment
- Damage is visible or suspected
- Equipment fails or malfunctions

For complete equipment ratings, refer to the enclosed specification sheet for your product.

## Definition of Terms and Symbols

The following symbols may be used in this manual:



### DANGER

Indicates an immediate hazardous situation, which, if not avoided, may result in death or serious injury.

**CAUTION**

Refers to hazards that could damage the instrument.

**NOTE**

Indicates tips, recommendations and important information. The notes simplify processes and contain additional information on particular operating steps.

**The following symbols may be found on the equipment described in this manual:**



This symbol on the unit indicates that high voltage may be present. Use standard safety precautions to avoid personal contact with this voltage.



This symbol on the unit indicates that the user should refer to the operating instructions located in the manual.



This symbol indicates safety, earth ground.



PCB工业监视和测量设备 - 中国RoHS2公布表

PCB Industrial Monitoring and Measuring Equipment - China RoHS 2 Disclosure Table

部件名称	有害物质					
	铅 (Pb)	汞 (Hg)	镉 (Cd)	六价铬 (Cr(VI))	多溴联苯 (PBB)	多溴二苯醚 (PBDE)
住房	0	0	0	0	0	0
PCB板	X	0	0	0	0	0
电气连接器	0	0	0	0	0	0
压电晶体	X	0	0	0	0	0
环氧	0	0	0	0	0	0
铁氟龙	0	0	0	0	0	0
电子	0	0	0	0	0	0
厚膜基板	0	0	X	0	0	0
电线	0	0	0	0	0	0
电缆	X	0	0	0	0	0
塑料	0	0	0	0	0	0
焊接	X	0	0	0	0	0
铜合金/黄铜	X	0	0	0	0	0
本表格依据 SJ/T 11364 的规定编制。						
0：表示该有害物质在该部件所有均质材料中的含量均在 GB/T 26572 规定的限量要求以下。						
X：表示该有害物质至少在该部件的某一均质材料中的含量超出 GB/T 26572 规定的限量要求。						
铅是欧洲RoHS指令2011/65/ EU附件三和附件四目前由于允许的豁免。						

CHINA RoHS COMPLIANCE

Component Name	Hazardous Substances					
	Lead (Pb)	Mercury (Hg)	Cadmium (Cd)	Chromium VI Compounds (Cr(VI))	Polybrominated Biphenyls (PBB)	Polybrominated Diphenyl Ethers (PBDE)
Housing	O	O	O	O	O	O
PCB Board	X	O	O	O	O	O
Electrical Connectors	O	O	O	O	O	O
Piezoelectric Crystals	X	O	O	O	O	O
Epoxy	O	O	O	O	O	O
Teflon	O	O	O	O	O	O
Electronics	O	O	O	O	O	O
Thick Film Substrate	O	O	X	O	O	O
Wires	O	O	O	O	O	O
Cables	X	O	O	O	O	O
Plastic	O	O	O	O	O	O
Solder	X	O	O	O	O	O
Copper Alloy/Brass	X	O	O	O	O	O

This table is prepared in accordance with the provisions of SJ/T 11364.

O: Indicates that said hazardous substance contained in all of the homogeneous materials for this part is below the limit requirement of GB/T 26572.

X: Indicates that said hazardous substance contained in at least one of the homogeneous materials for this part is above the limit requirement of GB/T 26572.

Lead is present due to allowed exemption in Annex III or Annex IV of the European RoHS Directive 2011/65/EU.



# Fastener Force Washer Transducer Installation and Operating Manual



**For assistance with the operation of this product, contact:  
RS Technologies, Division of PCB Load & Torque, Inc.  
Toll-Free in USA: 888-684-2894  
24-hour SensorLine<sup>SM</sup>: 716-684-0001  
Fax: 248-888-8266  
E-mail: [rsinfo@pcbloadtorque.com](mailto:rsinfo@pcbloadtorque.com)**

1.0 INTRODUCTION

The Fastener Force Washer Transducers manufactured by RS Technologies Division of PCB Load & Torque, Inc., are designed to measure the clamp load generated when a threaded fastener is tightened. The rated capacity of the force washer for your particular model is indicated on the attached outline drawing and specification sheet. These force washers utilize strain gages configured into a Wheatstone Bridge Circuit to produce the primary sensing elements. The four-arm Wheatstone Bridge configuration is shown below in **Figure 1**.

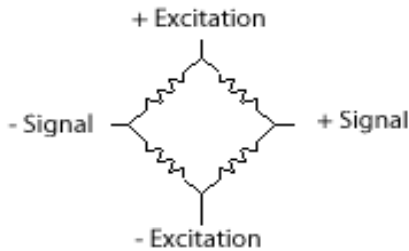
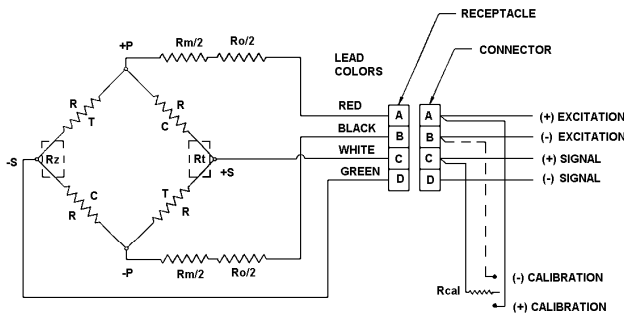


Figure 1 - Wheatstone Bridge Circuit

The force washer follows the wiring code shown in Figure 2 below. Most Fastener Force Washer Transducers are provided with a single cable with pigtail leads with the color code shown below. If provided from the factory with a connector, the wiring code may differ from the illustration.



- NOTES:
1. R Gage Resistance  
Rm Modulus Resistor  
Ro Output Scaling Resistor  
Rt Temperature Compensation Resistor  
Rz Zero Balance Resistor
  2. Ro and Rm may be omitted.
  3. Colors denote wiring connections for captive cable sensors.
  4. (-) Calibration applies only to bi-directional sensors.

Figure 2 – Transducer Wiring Code

The strain gages are bonded to the force washer’s structure. Typically, a regulated DC or AC excitation is applied between the (+) and (-) excitation leads of the bridge. When a load is applied to the force washer, the Wheatstone Bridge becomes unbalanced, producing an output voltage between the (+) and (-) signal leads, which is proportional to the applied load. The magnitude of the output voltage corresponds to the deformation of the force washer and therefore the applied load. This configuration allows for temperature and pressure

compensation, as well as cancellation of signals caused by forces not directly applied to the axis of the applied load. Output is typically expressed in units of millivolt per volt of excitation.

The force washer requires a dedicated signal conditioner to provide regulated DC excitation voltage. Optional signal conditioners are available from RS Technologies. Depending on which model is used, the signal conditioner may have analog voltage output, current output, or digital output. Digital display signal conditioners are also available.

A careful structural analysis has been done to isolate the forces and moments, which results in a reduction of cross-talk sensitivities. A variety of configurations and combination of force and moment measurements are available.

Axis Definition

RS Technologies Division of PCB Load & Torque, Inc. products comply with the Axis and Sense Definitions of NAS-938 (National Aerospace Standard-Machine Axis and Motion) nomenclature. These axes are defined in terms of a "Right Handed" orthogonal coordinate system as show below.

Because of their specific application, all fastener force washer transducers provide a (+) output signal when placed in compression, such as when the threaded fastener is tightened.

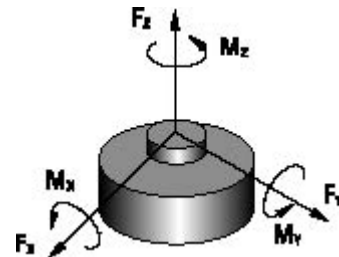


Figure 3 - Generic Axis and Sense Nomenclature for PCB® Load Cells

2.0 SAFETY INFORMATION

Failure of the force washer structure may cause personal injury and/or equipment damage. To prevent structure failure, review the extraneous load limits listed on the force washer specification sheet supplied with this manual.

Loads must be limited to 100% of the measurement axis load combined with 200% of any one of the extraneous loads. To determine an acceptable level of extraneous loads that prevents output signal degradation, review the extraneous load limits and note on the specification sheet.

### 3.0 MECHANICAL INSTALLATION

Refer to the outline drawing supplied with this manual for specific outline dimensions and installation details for your particular model. The specification sheet is also included to provide details of the sensor's characteristic properties.

It is important that the surface to which each force washer is mounted be as clean and perfectly flat as possible to avoid spot loading, which could affect sensor sensitivity and result in erroneous data. Ensure that the sensor is correctly aligned and oriented, and that it is mounted with proper hardware and properly tightened.

Each fastener force washer transducer is provided with a matching pair of hardened ground washers. The ID of one of the washers is beveled and this washer is placed with the bevel facing the underside of the head of the fastener on top of the force washer as shown in Figure 4. The other washer is placed underneath the bottom surface of the force washer transducer.

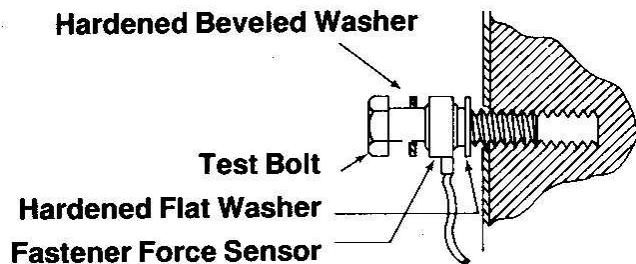


Figure 4 – Force Washer Installation

**IMPORTANT NOTE:** Fastener Force Washer Transducers are not designed for use as high-accuracy clamp force measurement devices. They are priced and intended for use where only an estimate of clamp force is required. They are sensitive to off-center and angular loading conditions that may adversely impact measurement accuracy.

### 4.0 ELECTRICAL INSTALLATION

The fastener force washer transducers come with integral cables and pigtail leads. The type of connector for your force washer will depend on what is required to connect to the signal conditioner/data collector. For proper electrical connections, refer to the wiring drawing for the signal conditioner used, and the outline drawing for the force washer. Construct any necessary interconnecting cables from high-quality shielded instrumentation cable.

Attach the output end of the interconnecting cable to the signal conditioner/data collector. For installation in dirty, humid, or rugged environments, it is suggested that the connection be shielded against dust or moisture with shrink tubing or other protective material. Because of its typical use the force washer

may rotate with the fastener while it is being tightened, so be sure to provide some slack in the cable in the event that the force washer turns during the test. Adequate strain relieving the cable/sensor connection may prolong cable life. Mounting cables to a test structure with clamps, tape, or adhesives helps to minimize cable whip. Refer to **Figure 5** for a simple example of a sensor installation with a securely fastened cable. The cabling for your force washer may require more robust strain relief.

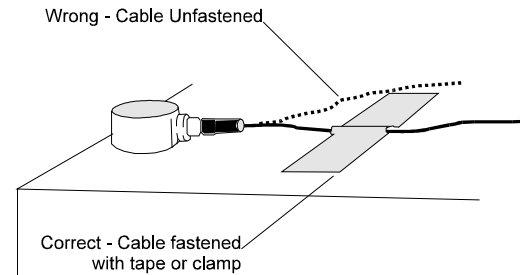


Figure 5 – Simple Cable Strain Relief

### 5.0 POLARITY

Every fastener force washer transducer produces a (+) output signal when placed in compression.

### 6.0 SHUNT CALIBRATION

Shunt calibration is the known, electrical unbalancing of a strain gage bridge by means of a fixed resistor that is placed, or “shunted”, across one leg of the bridge. The Wheatstone Bridge utilized by RS Technologies force washers are typically calibrated using the shunt calibration technique. The shunt calibration resistor impedance and the associated shunt calibration value in engineering units are provided on the Calibration Certificate.

Shunt calibration is a method of periodically checking the gain or span of a signal conditioner, which is used in conjunction with a strain gage based transducer, without exposing the transducer to known, traceable, physical input values. If required, adjustments can then be made to the signal conditioner to ensure accurate measurement results.

The strain gage bridge is “in balance” when the mechanical structure is unloaded and unstressed. As the structure is loaded or stressed, the Wheatstone Bridge becomes unbalanced, resulting in an output signal that is proportional to the applied load.

Shunt calibration simulates the mechanical input to a transducer by unbalancing the bridge with a fixed resistor placed across, or in parallel with, one leg of the bridge. For compression shunt calibration, or +CAL, the shunt resistor ( $R_{sc}$ ) is shunted across the +Excitation and +Signal leg of the

bridge. See **Figure 2** for shunt resistor locations in the Wheatstone Bridge circuit.

Shunt calibration is accepted throughout the industry as a means of periodic field calibration of a signal conditioner and transducer between calibrations of known, applied, traceable, mechanical input values. Consequently, most all strain gage transducer manufacturers collect and supply shunt calibration data, along with a shunt calibration resistor, as a standard feature.

### Shunt Calibration Procedure

The following procedure is provided as a basic outline of how shunt calibration is accomplished. The actual shunt calibration routine will depend on the instrument that you will use to read the clamp load.

1. Connect the transducer to an appropriate strain gage signal conditioner and allow adequate time for the system to stabilize. 2 to 5 minutes is recommended.
2. With no load on the transducer. Adjust the signal conditioner's zero controls for each bridge to read zero (0).
3. Shunt the calibration resistor between the desired excitation and signal leads of the Wheatstone Bridge, as described in Section 6.0.
4. Adjust the signal conditioner's gain or span controls as required to obtain an electrical output signal and/or numeric display that represents the simulated calibration load as indicated on the calibration certificate.
5. Remove the shunt resistor and adjust the zero if necessary.
6. If a significant zero adjustment is required, repeat Steps 3-5.
7. Repeat the process for the other axis.

## 7.0 OPERATION

### Typical Force Washer Configurations

Fastener force washer transducers can be used in several configurations. Some may be used with a single data collector or readout instrument to measure the clamp load generated when the threaded fastener is tightened. Others may be used with a multiple channel data recorder and a torque or torque angle transducer to determine torque-angle-tension data. Strain gage signal conditioners and cable assemblies are available from RS Technologies Division of PCB Load & Torque, Inc.

### Operation with a Signal Conditioner

The signal conditioner span and zero must be set before the force washer system can be used. The span can be set using the shunt calibration value as described in Section 6.0. Refer to the signal conditioner instruction manual for additional set-up information.

## 8.0 TROUBLESHOOTING

Refer to the guidelines below if problems arise.

### No output

- ✓No power
- ✓Loose or dirty connections
- ✓Open circuit or shorts
- ✓Faulty or improper wiring
- ✓No load applied

### Erratic or Improper Readings

- ✓Excitation voltage drift
- ✓Electrical noise
- ✓Loose fixturing
- ✓Open circuit or shorts
- ✓Improper load applied
- ✓Cable too long

### Blinking Display

- ✓Overload condition
- ✓Open circuit

### Zero Balance

- ✓Load applied to sensor
- ✓Overloaded or side-loaded sensor
- ✓Open circuit
- ✓Improper electrical connections

### Zero Shift

- ✓Fixture preload
- ✓Faulty or improper wiring
- ✓Improper tare

### Zero Drift

- ✓Unconditioned power supply
- ✓Circuit opens or shorts
- ✓Loose wiring
- ✓RFI/EMI interface
- ✓Temperature change

### Damaged or Deformed Equipment

- ✓Improper use

Often overlooked by the customer is the error due to the presence of non-measured forces and bending moments. Even though each axis of a bi-axial sensor is designed and built to withstand these non-measured forces and bending moments (extraneous loads), the errors due to them are present. Crosstalk data is provided to indicate the influence of the measured axes on each other. However, if extraneous un-measured loads are present, the errors due to them should be considered when troubleshooting operational problems.

## 9.0 ERROR ANALYSIS

RS Technologies Division of PCB Load & Torque, Inc. typically supplies accuracy information on its products in the form of individual errors (see the attached specification sheet). For Fastener Force Washer Transducers they are Non-Linearity, Hysteresis, and Non-Repeatability. The actual performance of you force washer will be noted on the Calibration Certificate provided by RS Technologies.

The customer can combine these individual errors through the root sum squared method to establish the maximum possible error for the measurement or just examine the applicable individual error.

If the temperature remains stable during the test, temperature related errors may be ignored. If the sensor is used for increasing load measurement only, ignore the Hysteresis error. If the load measurement is near the full capacity, the linearity error can be ignored. If the capability exists to correct the data through linearization-fit or a look-up-table, the error in the measurement can be minimized. A sophisticated user can get rid of all the errors except for the non-repeatability error in the measurement.

## 10.0 MAINTENANCE

Routine maintenance, such as cleaning of electrical connectors, housings, and mounting surfaces with solutions and techniques that will not harm the physical material of construction is acceptable. Caution should be observed to ensure that liquids are not permitted to migrate into devices that are not hermetically sealed. Such devices should only be wiped with a damp cloth and never submerged or have liquids poured on them.

###

*MANUAL NUMBER: 47111  
MANUAL REVISION: A  
ECN NUMBER: 33512*

Model Number  
054116-01803

# LOAD WASHER LOAD CELL - 1" FASTENER

Revision: C  
ECN #: 53433

	ENGLISH	SI	
<b>Performance</b>			
Measurement Range(Full Scale Capacity)	80,000 lb	355.60 kN	[1]
Sensitivity(output at rated capacity)	1.50 mV/V	1.50 mV/V	[1][2]
Non-Linearity	± 5 % FS	± 5 % FS	[2]
Hysteresis	± 5 % FS	± 5 % FS	[2]
Non-Repeatability	± 2 % FS	± 2 % FS	[2]
Resonant Frequency	10 kHz	10 kHz	
<b>Environmental</b>			
Overload Limit	120,000 lb	533.40 kN	
Temperature Range(Operating)	0 to +200 °F	-18 to +93 °C	
Temperature Range(Compensated)	+70 to +170 °F	+21 to +77 °C	
Temperature Effect on Output(Maximum)	± 0.002 %Reading/°F	± 0.0018 %Reading/°C	[3]
Temperature Effect on Zero	± 0.002 %FS/°F	± 0.0018 %FS/°C	[2]
Balance(Maximum)			
<b>Electrical</b>			
Bridge Resistance	350 Ohm	350 Ohm	[1]
Excitation Voltage(Recommended)	10 VDC	10 VDC	[4]
Zero Balance	≤ 1 % FS	≤ 1 % FS	
Output Polarity(Compression)	Positive	Positive	
Isolation Resistance	≥ 1G Ohm	≥ 1G Ohm	
<b>Physical</b>			
Size (Height x Diameter)	0.735 in x 2.160 in	18.67 mm x 54.86 mm	[5]
Fastener Size	1.0 in	NO EQUIV	
Through Hole Diameter	1.006 in	25.55 mm	
Sensing Element	Strain Gage	Strain Gage	
Electrical Connector	Pigtail Ends	Pigtail Ends	
Electrical Connection Position	Side	Side	

## OPTIONAL VERSIONS

Optional versions have identical specifications and accessories as listed for the standard model except where noted below. More than one option may be used.

## NOTES:

- [1]Nominal.
- [2]FS - Full Scale.
- [3]Over compensated operating temperature range.
- [4]Calibrated at 10 VDC, usable 5 to 20 VDC or VAC RMS.
- [5]See Outline Drawing (LT30776) for Complete Dimensions

## SUPPLIED ACCESSORIES:

Model 7122R-007502 8G16B 75K .025% GENER RES 3PPM (1)  
 Model 92160-032552 1" Hardened Washer Top (1)  
 Model 92160-032553 1" Hardened Washer - Bottom (1)

## OPTIONAL ACCESSORIES:

Model 080922-01000 MODEL 922 DIGITAL PEAK METER  
 Model 080962-01000 MODEL 962 DATA RECORDER

Entered: ND	Engineer: PE	Sales: DM	Approved: JM	Spec Number:
Date: 12/16/2022	Date: 12/16/2022	Date: 12/16/2022	Date: 12/16/2022	48923

All specifications are at room temperature unless otherwise specified.  
 In the interest of constant product improvement, we reserve the right to change specifications without notice.



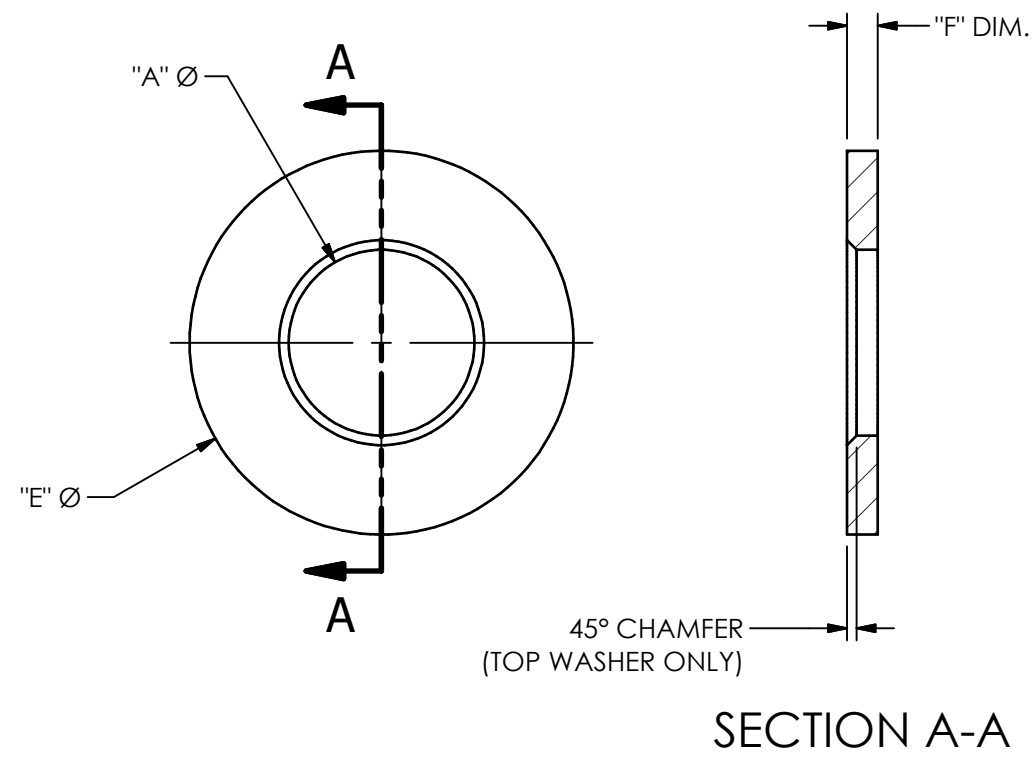
PCB Load & Torque A Division of PCB  
 Piezotronics  
 24350 Indoplex Circle Farmington  
 Hills, MI 48335  
 UNITED STATES  
 Phone: 866-684-7107  
 E-Mail: LTSales@pcb.com  
 Web site: www.pcb.com/LoadAndTorque

LT30776

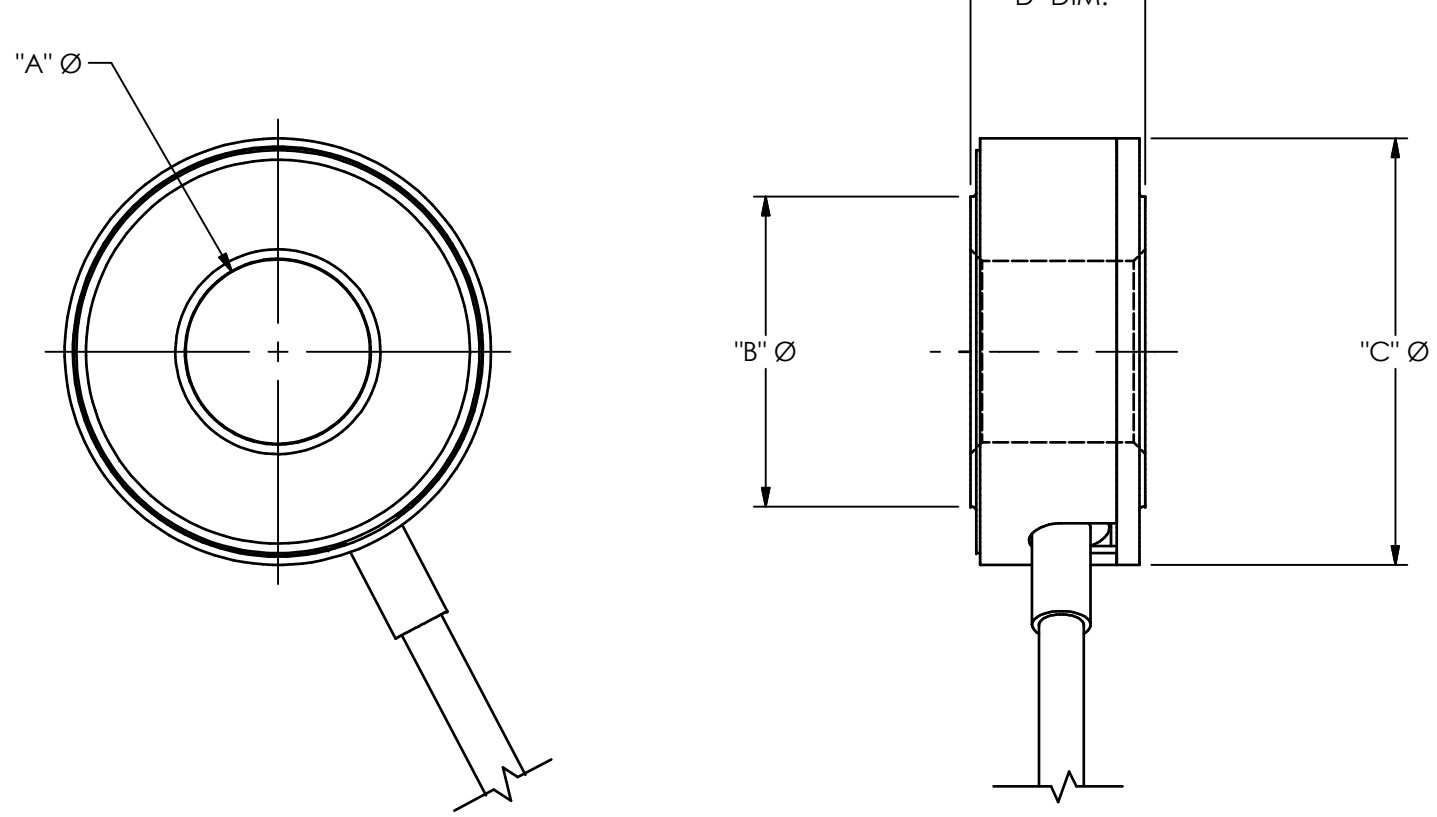
PCB Load & Torque Inc. claims proprietary rights in the information disclosed herein. Neither it nor any reproduction thereof will be disclosed to others without the written consent of PCB Load and Torque Inc.

REVISIONS		
REV	DESCRIPTION	ECO
H	ADDED PT06A-10P OPTION - 10.30.19, PTE	50128

**HARDENED WASHERS**  
ONE SET (TOP & BOTTOM) SUPPLIED



**TRANSDUCER**



**ENGLISH SERIES - DIMENSIONS IN INCHES**

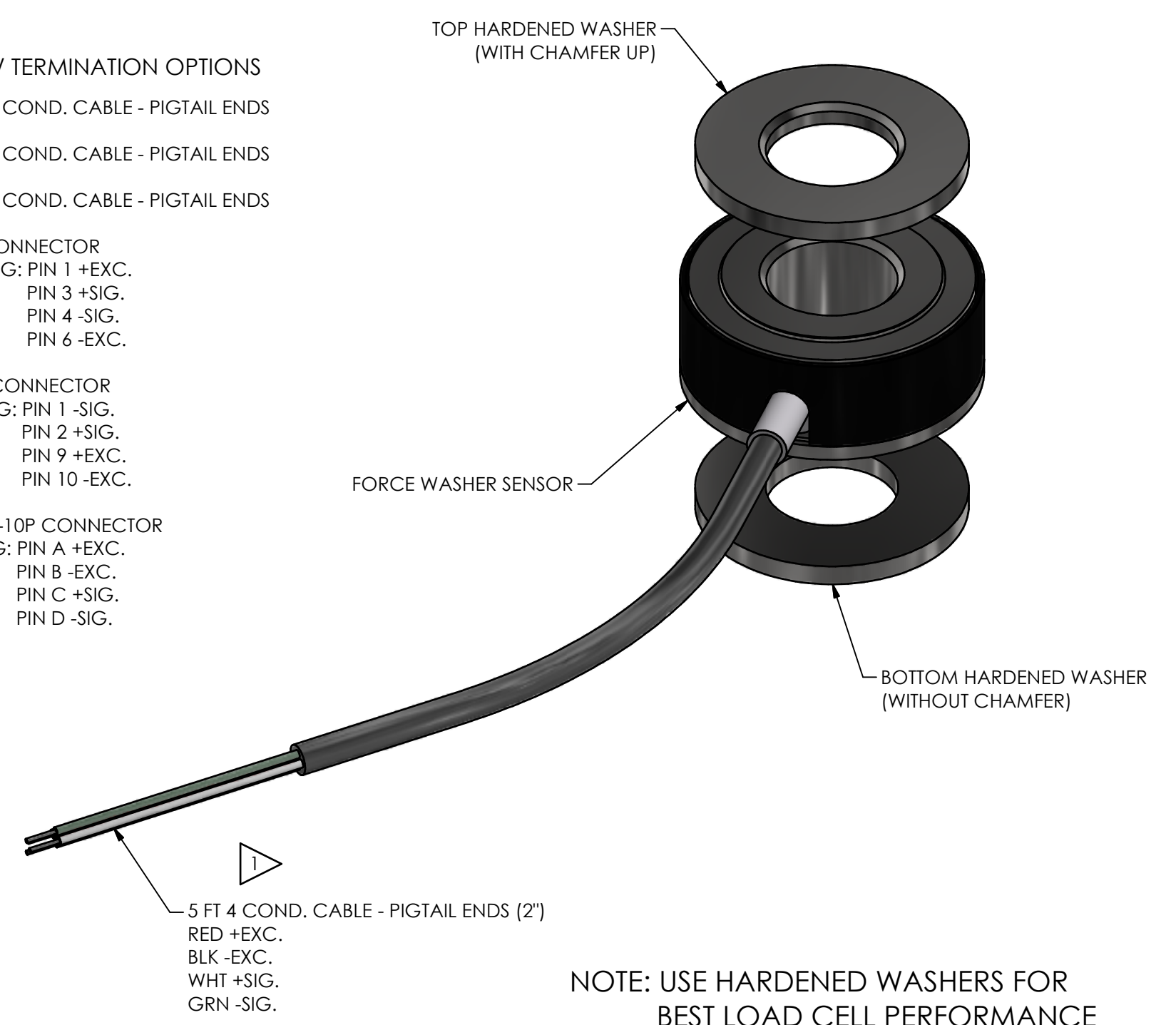
PART NO.	BOLT SIZE	CAPACITY	"A"	"B"	"C"	"D"	"E"	"F"
054103-01252	#10	2,500 LBF	0.1955	0.314	0.625	0.255	0.500	0.050
054104-01502	1/4"	5,000 LBF	0.257	0.400	0.674	0.255	0.500	0.050
054105-01802	5/16"	8,000 LBF	0.321	0.503	0.809	0.317	0.750	0.050
054106-01103	3/8"	10K LBF	0.382	0.612	0.842	0.380	0.750	0.050
054107-01153	7/16"	15K LBF	0.444	0.700	0.943	0.420	0.870	0.080
054108-01203	1/2"	20K LBF	0.507	0.807	1.111	0.455	1.000	0.080
054109-01253	9/16"	25K LBF	0.57	0.908	1.213	0.495	1.130	0.080
054110-01303	5/8"	30K LBF	0.636	1.015	1.350	0.525	1.250	0.125
054112-01403	3/4"	40K LBF	0.757	1.222	1.620	0.595	1.500	0.125
054114-01603	7/8"	60K LBF	0.882	1.431	1.888	0.665	1.750	0.125
054116-01803	1"	80K LBF	1.006	1.642	2.160	0.735	2.000	0.125
054124-01104	2"	100K LBF	2.047	2.900	3.730	0.933	3.500	0.180

**METRIC SERIES - DIMENSIONS IN mm**

PART NO.	BOLT SIZE	CAPACITY	"A"	"B"	"C"	"D"	"E"	"F"
054204-01093	M4	9KN	4.13	7.14	15.88	6.48	12.70	1.27
054206-01203	M6	20KN	6.17	10.16	17.12	6.48	12.70	1.27
054208-01353	M8	35KN	8.15	15.62	20.55	9.65	19.05	1.27
054210-01543	M10	54KN	10.19	15.70	23.95	10.69	22.20	2.03
054212-01084	M12	80KN	12.19	20.50	28.22	11.56	25.40	2.03
054214-01114	M14	110KN	14.15	23.06	30.81	12.57	28.45	2.03
054216-01144	M16	140KN	16.15	25.79	34.29	13.34	31.80	3.18
054218-01184	M18	180KN	18.16	31.04	41.15	15.11	38.10	3.18
054220-01224	M20	220KN	20.17	31.04	41.15	15.11	38.10	3.18
054222-01274	M22	270KN	22.17	36.35	47.96	16.89	44.45	3.18
054224-01324	M24	320KN	24.18	43.68	54.86	18.67	50.80	3.18
054230-01404	M30	400KN	30.20	46.36	60.45	22.23	57.15	3.96
054236-01804	M36	800KN	36.27	62.29	79.50	22.23	76.20	4.57

**CABLE / TERMINATION OPTIONS**

- 10 FT 4 COND. CABLE - PIGTAIL ENDS
- 15 FT 4 COND. CABLE - PIGTAIL ENDS
- 20 FT 4 COND. CABLE - PIGTAIL ENDS
- DB9 CONNECTOR  
WIRING: PIN 1 +EXC.  
PIN 3 +SIG.  
PIN 4 -SIG.  
PIN 6 -EXC.
- DB15 CONNECTOR  
WIRING: PIN 1 -SIG.  
PIN 2 +SIG.  
PIN 9 +EXC.  
PIN 10 -EXC.
- PT06A-10P CONNECTOR  
WIRING: PIN A +EXC.  
PIN B -EXC.  
PIN C +SIG.  
PIN D -SIG.



NOTE: USE HARDENED WASHERS FOR BEST LOAD CELL PERFORMANCE

UNLESS OTHERWISE SPECIFIED TOLERANCES ARE:		DRAWN	CHECKED	ENGINEER	<p>24350 Indoplex Circle, Farmington Hills, MI 48335 (716) 684-0001 E-MAIL: ltinfo@pcbloadtorque.com</p>		
DIMENSIONS IN INCHES	DIMENSIONS IN MILLIMETERS (IN BRACKETS)	PTE	03.27.15	JSD		03.31.15	PTE
DECIMALS .XX ±0.01 XXX ±0.005	DECIMALS X ±0.3 XX ±0.13	TITLE		OUTLINE DRAWING FORCE WASHER SENSOR ENGLISH AND METRIC VERSIONS		DWG. NO. <b>LT30776</b>	
ANGLES ± .5 DEGREES	ANGLES ± .5 DEGREES	SCALE: NONE		SHEET 1 OF 1			
FILLET AND RADII .015 MAX	FILLET AND RADII 0.38 MAX						