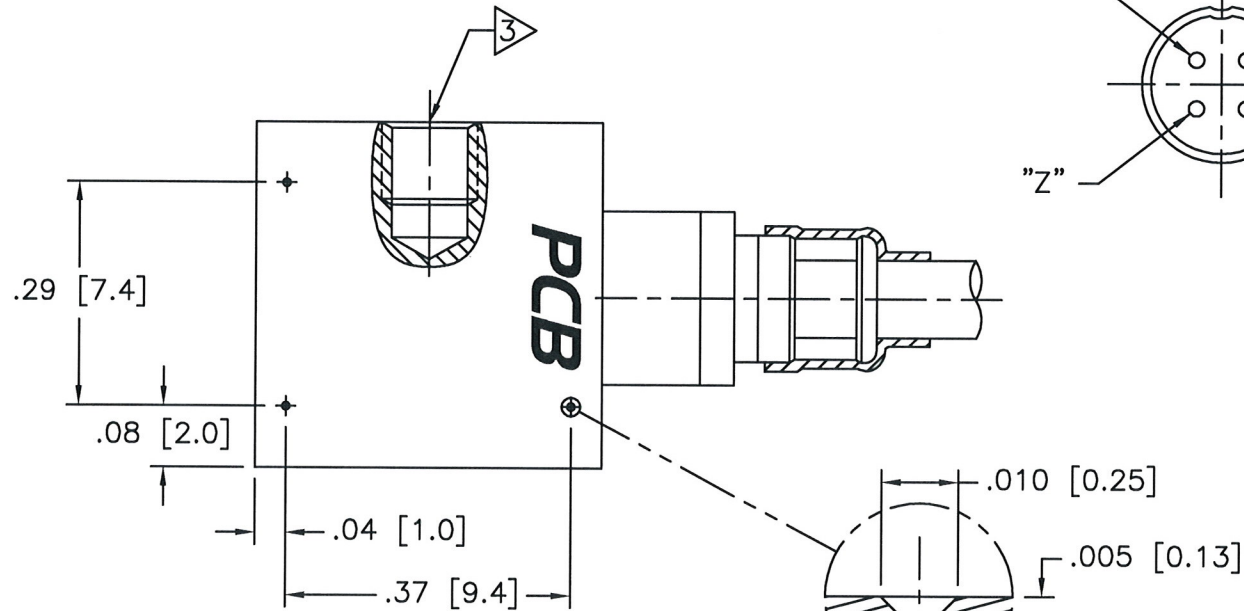
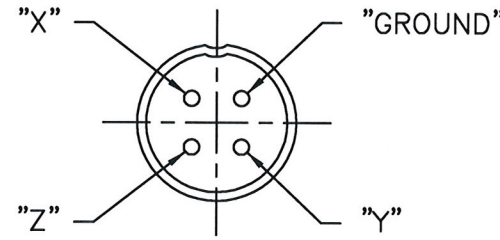


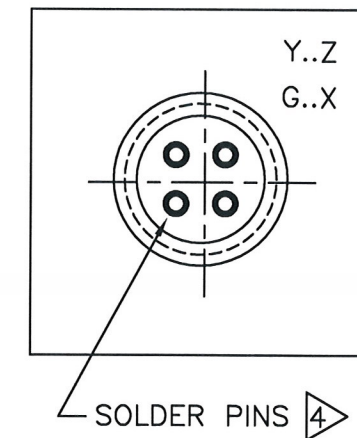
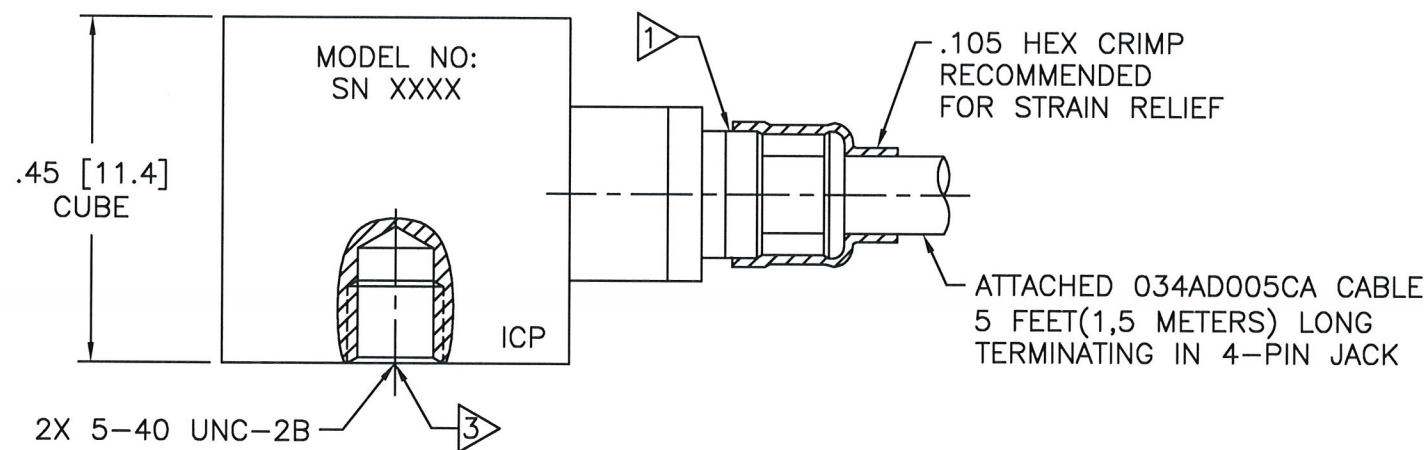
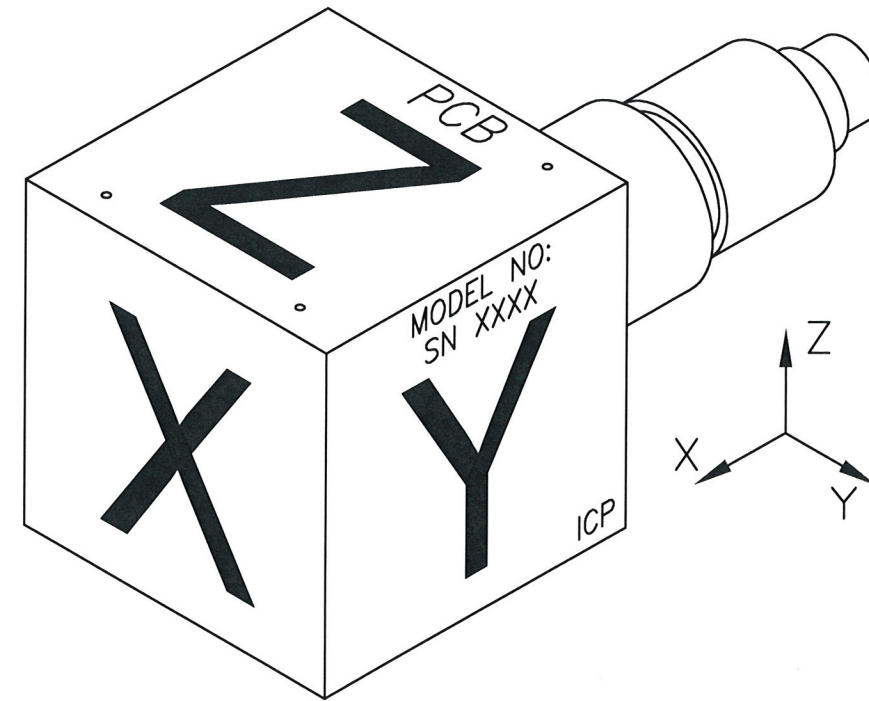
PCB Piezotronics Inc. claims proprietary rights in the information disclosed hereon. Neither it nor any reproduction thereof will be disclosed to others without written consent of PCB Piezotronics Inc.

REVISIONS					
ZONE	REV	DESCRIPTION	ECN	DATE	APP'D
	C	REVISED PER ECN	19830	5/12/04	DM5/04
	D	ADDED PROGRAM MARKING	25955	3/6/07	EB3/07

PINOUT DIAGRAM
SCALE: 8X



DETAIL "A"
SCALE 10X



SOLDER PINS

- 4 THIS VIEW SHOWN WITHOUT CABLE FOR PIN OUTPUT.
- 3 ADHESIVE MOUNT ONLY FOR A & T OPTIONS.
- 2 TEDS OPTIONS ONLY.
- 1 FOR REPLACEMENT, USE PCB PART NUMBER 1367-01

UNLESS SPECIFIED TOLERANCES	
DIMENSIONS IN INCHES	DIMENSIONS IN MILLIMETERS [IN BRACKETS]
DECIMALS XX ±.01	DECIMALS X ±0.3
XXX ±.005	XX ±0.13
ANGLES ±2 DEGREES	ANGLES ±2 DEGREES
FILLETS AND RADII .003 - .005	FILLETS AND RADII [0.07 - 0.13]
DD011 REV. C 01/21/03	

DRAWN	TTC	3/6/07	MFG	Dmg	3/8/07
CHK'D	ECB	3/8/07	ENGR	TB	3/8/07
APP'D	EB	3/8/07	SALES	WR	3/8/07
TITLE					
OUTLINE DRAWING .45" CUBE W/ INTEGRAL CABLE TRIAxIAL ACCELEROMETER					

PCB PIEZOTRONICS	
3425 WALDEN AVE. DEPEW, NY 14043 (716) 684-0001 EMAIL: SALES@PCB.COM	
CODE IDENT. NO. 52681	DWG. NO. 9296
SCALE: 4X	SHEET 1 OF 1