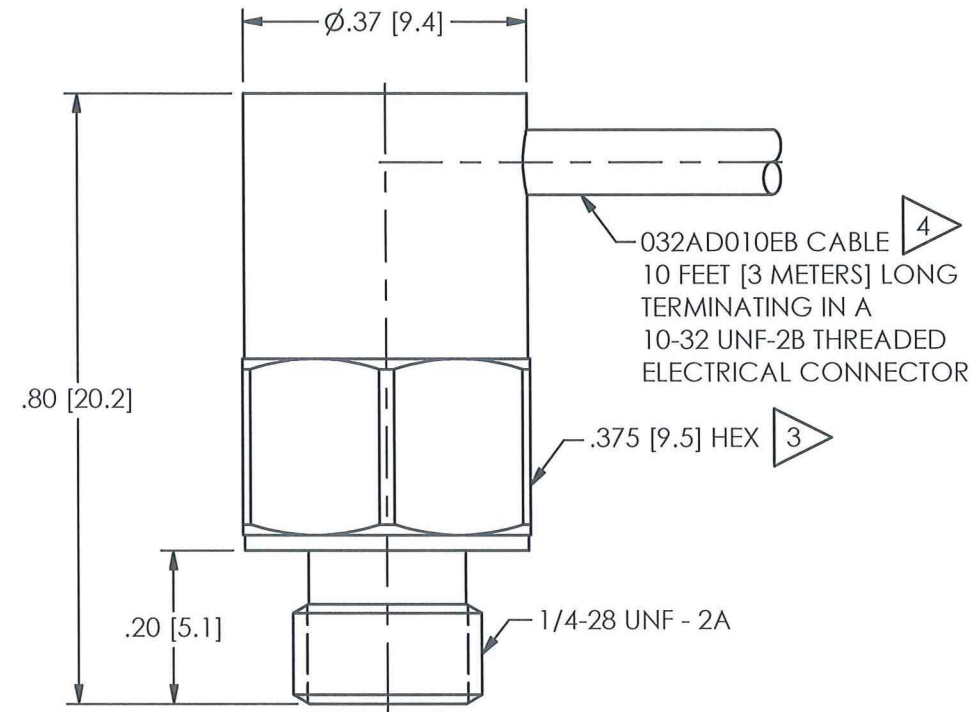


PCB Piezotronics Inc. claims proprietary rights in the information disclosed hereon. Neither it nor any reproduction thereof will be disclosed to others without the written consent of PCB Piezotronics Inc.

54393

REVISIONS

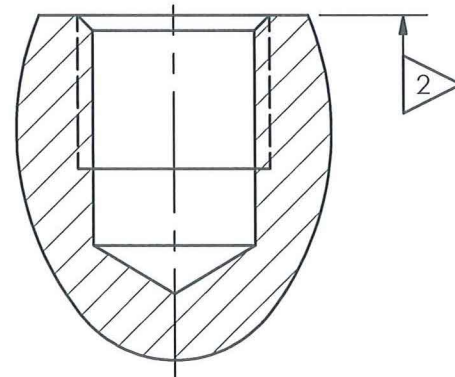
REV	DESCRIPTION	DIN
A	ADDED NOTE 4	42036



PIN OUTS		
FUNCTION	CABLE	CONNECTOR
SIGNAL/POWER	WHITE	CENTER PIN
GROUND	BLACK	SHELL
CASE	SHIELD/GREEN	N/A

MOUNTING HOLE PREPARATION

Ø.218[5.5] ∇ .30[7.6] MIN
1/4-28 UNF-2B .20[5.1] MIN



- 4 A LOW IMPEDANCE CONNECTION FROM SHIELD (GREEN WIRE) TO EARTH GROUND IS REQUIRED TO MAINTAIN **CE** COMPLIANCE.
- 3 RECOMMENDED MOUNTING TORQUE ON .375 [9.5] HEX 2.5-4 FOOT POUNDS [2.8-3.4 Nm].
- 2 MOUNTING SURFACE SHOULD BE FLAT TO WITHIN .001 [0.03] TIR OVER Ø.375 [9.5] WITH A MINIMUM ∇ 63 [1.6] FOR BEST RESULTS.
- 1 DRILL PERPENDICULAR TO MOUNTING SURFACE TO WITHIN $\pm 1^\circ$.

UNLESS OTHERWISE SPECIFIED TOLERANCES ARE:		DRAWN	CHECKED	ENGINEER
DIMENSIONS IN INCHES	DIMENSIONS IN MILLIMETERS [IN BRACKETS]	JDM 9/17/13	<i>Jm</i> 9/17/13	BAM 9/17/13
DECIMALS XX \pm .01 XXX \pm .005	DECIMALS X \pm 0.3 XX \pm 0.13	TITLE INSTALLATION DRAWING SHOCK ACCELEROMETER		
ANGLES \pm 2 DEGREES	ANGLES \pm 2 DEGREES			
FILLETS AND RADII .003 - .005	FILLETS AND RADII 0.07 - 0.13			
		3425 WALDEN AVE. DEPEW, NY 14043 (716) 684-0001 E-MAIL: sales@pcb.com		
		CODE IDENT. NO. 52681	DWG. NO. 54393	
		SCALE: 4X	SHEET 1 OF 1	