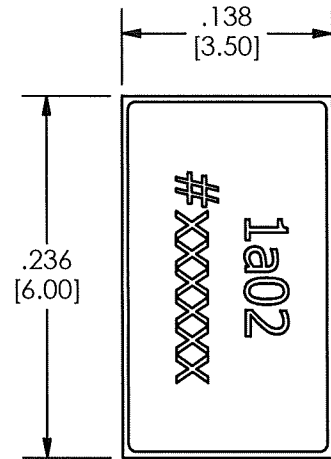
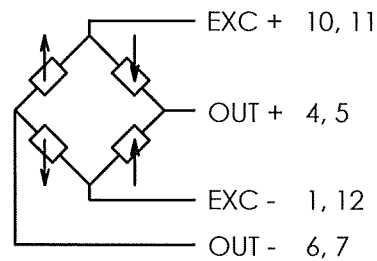


PCB Piezotronics Inc. claims proprietary rights in the information disclosed hereon. Neither it nor any reproduction thereof will be disclosed to others without the written consent of PCB Piezotronics Inc.

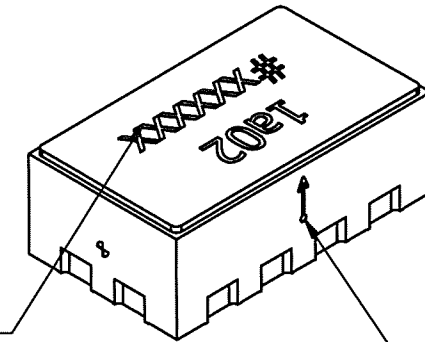
51969



ESD SENSITIVE
CLASS 2 HANDLING REQUIRED

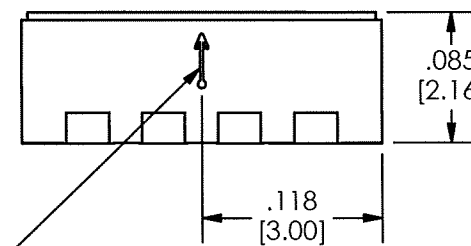
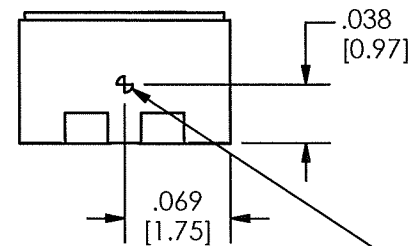
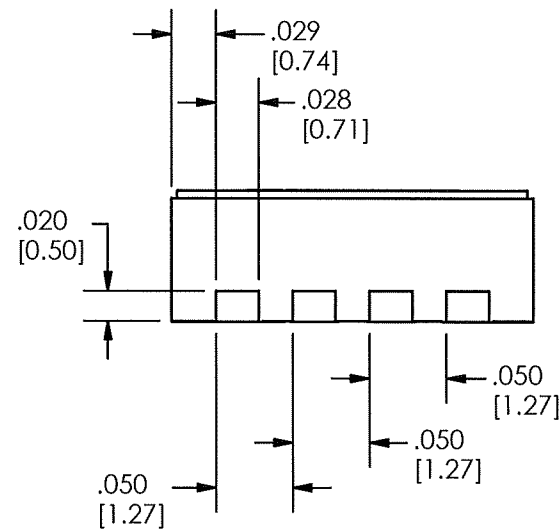


REVISIONS		
REV	DESCRIPTION	DIN
NR	RELEASED TO DRAFTING	39804

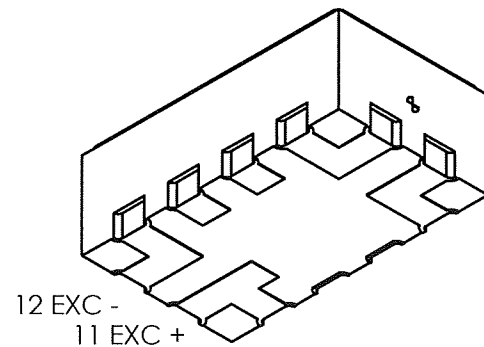
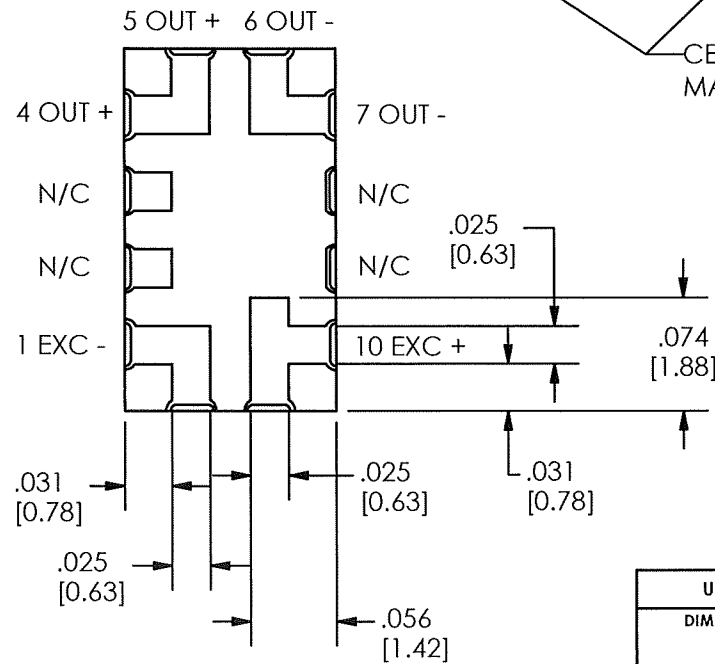


ABBREVIATED MODEL NUMBER REFERS TO 3501A202KG

DIRECTION OF ARROW DEPICTS ACCELERATION CAUSING POSITIVE OUTPUT



CENTER OF SENSITIVITY IS LOCATED BY THIS MARK AND BY THE BASE OF THE ARROW



UNLESS OTHERWISE SPECIFIED TOLERANCES ARE:		DRAWN	CHECKED	ENGINEER	 3425 WALDEN AVE. DEPEW, NY 14043 (716) 684-0001 E-MAIL: sales@pcb.com
DIMENSIONS IN INCHES	DIMENSIONS IN MILLIMETERS [IN BRACKETS]	JDM	9/18/12	MAM	
DECIMALS XX ±.03 XXX ±.010	DECIMALS X ±0.8 XX ±0.25	TITLE			CODE IDENT. NO. 52681
ANGLES ± 2 DEGREES	ANGLES ± 2 DEGREES	OUTLINE DRAWING 3501A202KG SHOCK SERIES SURFACE MOUNT			DWG. NO. 51969
FILLETS AND RADII .003 - .005	FILLETS AND RADII 0.07 - 0.13				SCALE: FULL SHEET 1 OF 1