

124-1210-90

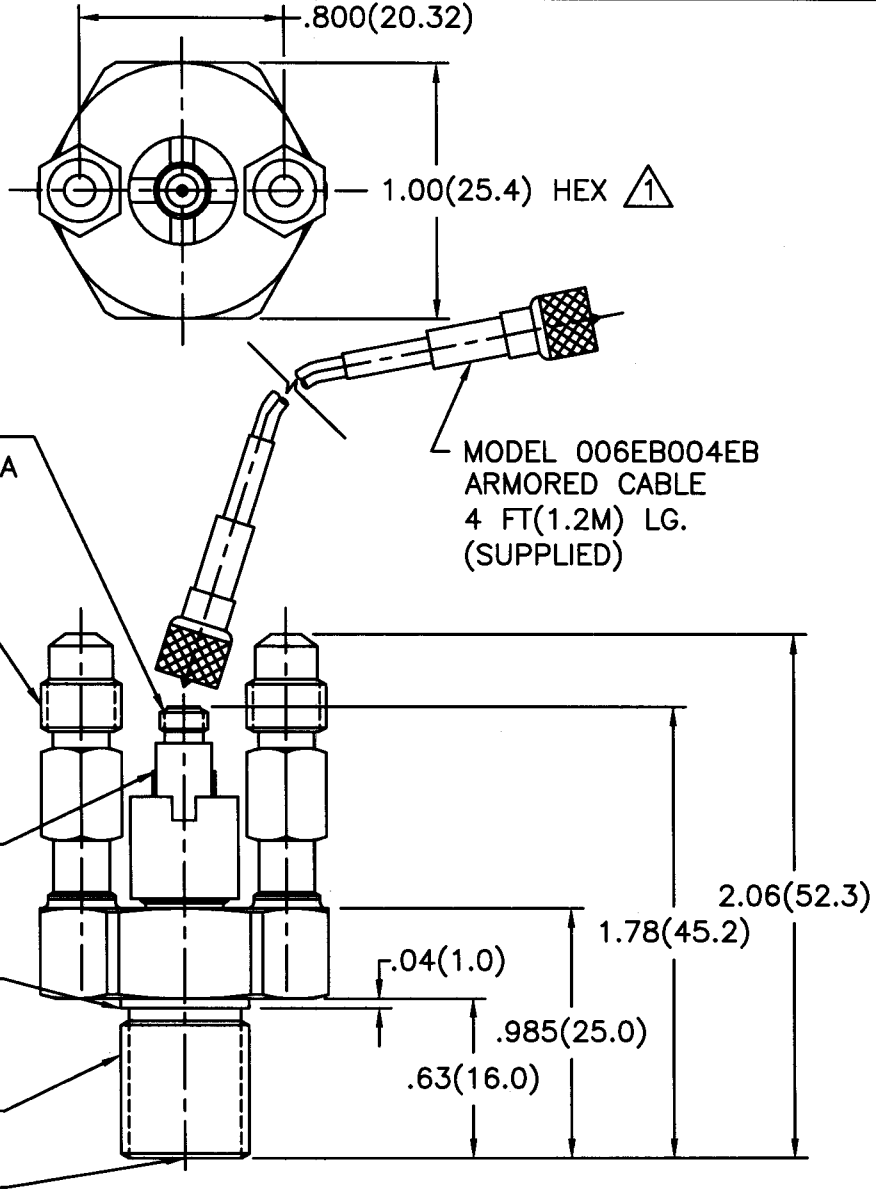
PCB Piezotronics Inc. claims proprietary rights in the information disclosed hereon. Neither it nor any reproduction thereof will be disclosed to others without written consent of PCB Piezotronics Inc.

APPLICATION

NEXT ASS'Y	USED ON	VAR

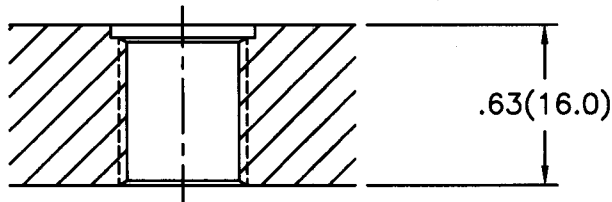
REVISIONS

REV	DESCRIPTION	ECN	DATE	APP'D
D	REVISED PER ECR	20202	7/14/04	DM7/04



MOUNTING HOLE PREPARATION:

Ø.453  
THRU  
1/2-20 UNF-2B  
THRU  
□Ø.562  
X .050 ▽<sup>2</sup>



- ▽<sup>2</sup> SEAL SURFACE MUST BE FLAT AND FREE OF TOOL MARKS WITH AT LEAST 63<sup>✓</sup> FINISH.
- ▴<sup>1</sup> MOUNTING TORQUE ON 1.00 HEX 10-15 FT. LBS.

UNLESS SPECIFIED TOLERANCES

DIMENSIONS IN INCHES	DIMENSIONS IN MILLIMETERS [IN BRACKETS]
DECIMALS XX ±.03	DECIMALS X ±0.8
XXX ±.010	XX ±0.25
ANGLES ±2 DEGREES	ANGLES ±2 DEGREES
FILLETS AND RADII .003 - .005	FILLETS AND RADII [0.07 - 0.13]

DRAWN	EB	7/14/04	MFG	KL6	7/14/04
CHK'D	EM	7/14/04	ENGR	BSH	7/14/04
APP'D	RF	7/14/04	SALES	DAC	7/14/04

**PCB PIEZOTRONICS™**  
3425 WALDEN AVE. DEPEW, NY 14043  
(716) 684-0001 EMAIL: SALES@PCB.COM

CODE IDENT. NO. 52681

DWG. NO. 124-1210-90

DD011 REV. C 01/21/03

TITLE  
OUTLINE DRAWING  
MODEL 124A21, A22, A24  
WATER COOLED SENSOR

SCALE: 1.33X SHEET 1 OF 1