

25188

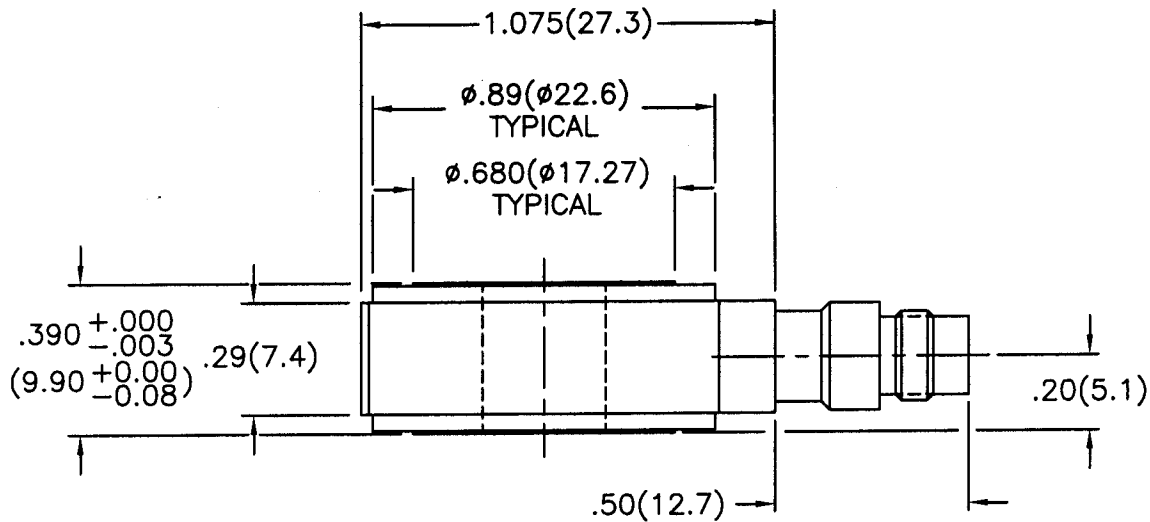
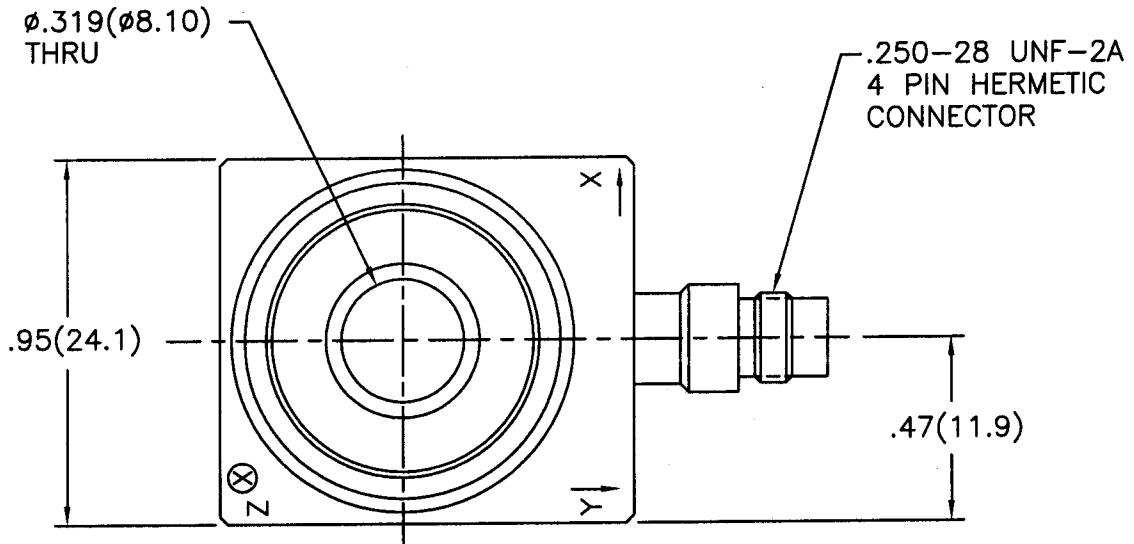
PCB Piezotronics Inc. claims proprietary rights in the information disclosed herein. Neither it nor any reproduction thereof will be disclosed to others without written consent of PCB Piezotronics Inc.

APPLICATION

NEXT ASS'Y	USED ON	VAR
------------	---------	-----

REVISIONS

REV	DESCRIPTION	ECN	DATE	APP'D
NR	RELEASED TO DRAFTING		1/29/04	<i>DM</i>



1.) SEE SHEET 2 FOR STANDARD MOUNTING INSTRUCTIONS.

UNLESS SPECIFIED TOLERANCES		DRAWN				PCB PIEZOTRONICS™		
DIMENSIONS IN INCHES	DIMENSIONS IN MILLIMETERS (IN PARENTHESIS)	<i>DM</i>	<i>1/29/04</i>	MFG	<i>PJL</i>	<i>2/3/04</i>	3425 WALDEN AVE. DEPEW, NY 14043	
DECIMALS XX ±.01	DECIMALS XX ±0.3	CHK'D	<i>DM</i>	ENGR	<i>MJL</i>	<i>1-29-04</i>	(716) 684-0001 EMAIL: SALES@PCB.COM	
XXX ±.005	XXX ±0.13	APP'D	<i>DM</i>	SALES	<i>JPM</i>	<i>2/3/04</i>		
ANGLES ±2 DEGREES	ANGLES ±2 DEGREES	TITLE	INSTALLATION DRAWING				CODE IDENT. NO.	DWG. NO.
FILLETS AND RADII .003 - .005	FILLETS AND RADII (0.07 - 0.13)	MODEL 260M29 ICP TRIAXIAL FORCE SENSOR				52681	25188	
DD011 REV. B 03/13/98						SCALE: 2X	SHEET 1 OF 2	

25188

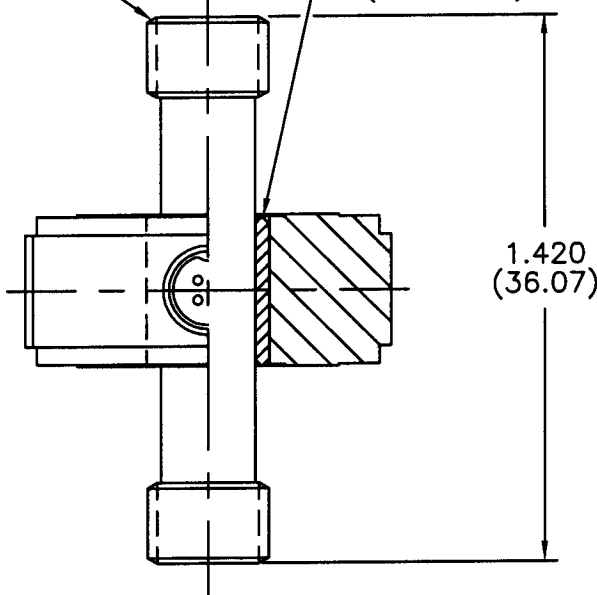
PCB Piezotronics Inc. claims proprietary rights in the information disclosed hereon. Neither it nor any reproduction thereof will be disclosed to others without written consent of PCB Piezotronics Inc.

APPLICATION		
NEXT ASS'Y	USED ON	VAR

REVISIONS				
REV	DESCRIPTION	ECN	DATE	APP'D
	-SEE SHEET ONE-			

MODEL 081A70  
STUD  
5/16-24 UNF-2A  
TYP EACH END  
(SUPPLIED)

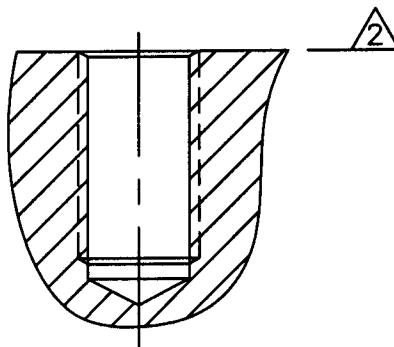
MODEL 083A10  
PILOT BUSHING  
(SUPPLIED)



TYP STUD MOUNTING  
INSTALLATION

MOUNTING HOLE PREPARATION:

DRILL  $\phi .272(\phi 6.91)$   $\triangle 3$   
X .655(16.64)  $\nabla$   
TAP 5/16-24 UNF-2B  
X .555(14.10)  $\nabla$   
PERFECT THREAD



4.) SEE MANUAL FOR PRELOAD INSTRUCTIONS.

$\triangle 3$  DRILL PERPENDICULAR TO MOUNTING SURFACE TO WITHIN  $\pm 1^\circ$ .

$\triangle 2$  MOUNTING SURFACE UNDER FORCE RING MUST BE FLAT WITHIN .001(0.03) TIR WITH A  $32^\circ$  (0.8 $\sqrt$ ) FINISH.

UNLESS SPECIFIED TOLERANCES		DRAWN <i>DJM</i> 1/29/04	MFG <i>PJL</i> 2/3/04	 3425 WALDEN AVE. DEPEW, NY 14043 (716) 684-0001 EMAIL: SALES@PCB.COM
DIMENSIONS IN INCHES	DIMENSIONS IN MILLIMETERS (IN PARENTHESIS)	CHK'D <i>DM</i> 2/2/04	ENGR <i>MJK</i> 1-29-04	
DECIMALS XX $\pm .01$ XXX $\pm .005$	DECIMALS XX $\pm 0.3$ XXX $\pm 0.13$	APP'D <i>DMS</i> 2/5/04	SALES <i>DM</i> 2/3/04	CODE IDENT. NO. 52681
ANGLES $\pm 2$ DEGREES	ANGLES $\pm 2$ DEGREES	TITLE INSTALLATION DRAWING MODEL 260M29 ICP TRIAxIAL FORCE SENSOR		DWG. NO. 25188
FILLETS AND RADII .003 - .005	FILLETS AND RADII (0.07 - 0.13)	DD007 REV. B 03/13/98		SCALE: 2X SHEET 2 OF 2