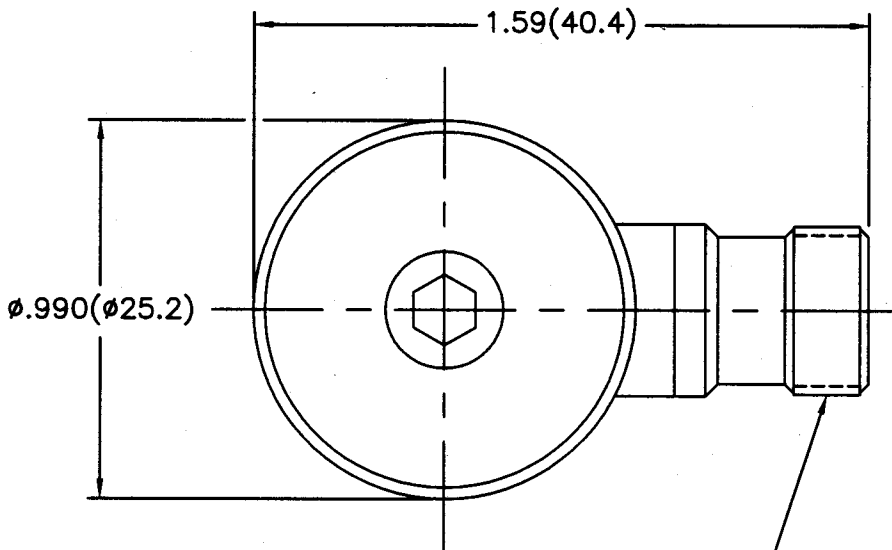


15600

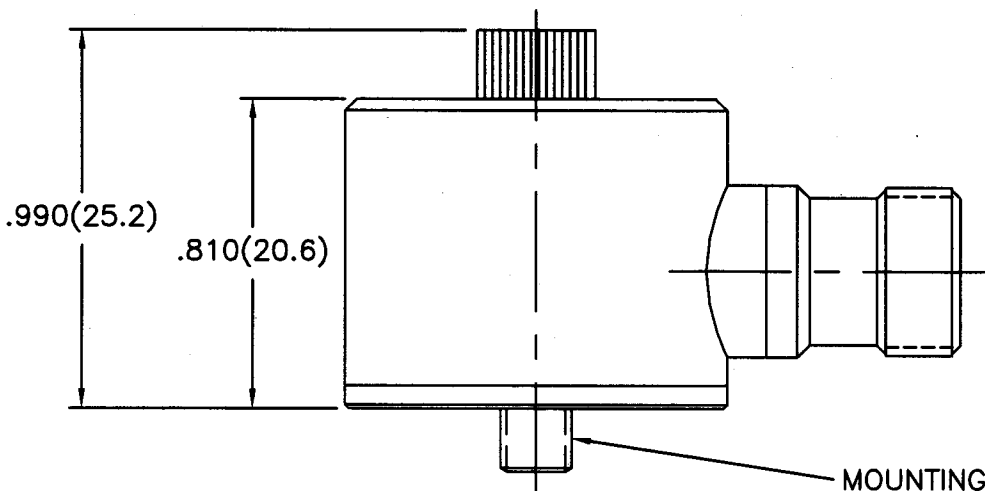
PCB Piezotronics Inc. claims proprietary rights in the information disclosed hereon. Neither it nor any reproduction thereof will be disclosed to others without written consent of PCB Piezotronics Inc.

APPLICATION		
NEXT ASS'Y	USED ON	VAR

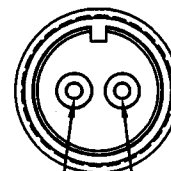
REVISIONS				
REV	DESCRIPTION	ECN	DATE	APP'D
A	REVISED PER ECN	15662	7/9/02	DM7/02
B	REVISED PER ECN	16720	1/8/03	DM1/03



ELECTRICAL CONNECTOR
7/16-27 UNS-2A
2-PIN MINI MIL



SIDE VIEW
OF CONNECTOR



SIGNAL/
POWER GROUND

MOUNTING BOLT
MODEL 081A76
10-32 UNF-2A
X .98 (24.9) LONG
(SUPPLIED) \triangle 1

\triangle 1 FOR METRIC HIGH FREQUENCY RING ACCELEROMETER (M631A80) USE MOUNTING BOLT MODEL M081A76, M5 X 0.80-6g X .98(24.9) LONG.

UNLESS SPECIFIED TOLERANCES		DRAWN	MRS 6.8.03	MFG	R.D 1/14/03	 3425 WALDEN AVE. DEPEW, NY 14043 (716) 884-0001 EMAIL: SALES@PCB.COM	
DIMENSIONS IN INCHES	DIMENSIONS IN MILLIMETERS (IN PARENTHESIS)	CHK'D	DM 1/10/03	ENGR	M2 1/14/03		
DECIMALS XX ±.01 XXX ±.005	DECIMALS XX ±0.3 XXX ±0.13	APP'D	N.C 1/26/03	SALES	BS7 1/17/03		
ANGLES ±2 DEGREES	ANGLES ±2 DEGREES	TITLE		OUTLINE DRAWING		CODE	
FILLETS AND RADII .003 - .005	FILLETS AND RADII (0.07 - 0.13)	HIGH FREQUENCY RING ACCELEROMETER		MODEL 631A80, M		DWG. NO.	
DD011 REV. B 03/13/98						15600	
						SCALE: 2 : 1	SHEET 1 OF 1