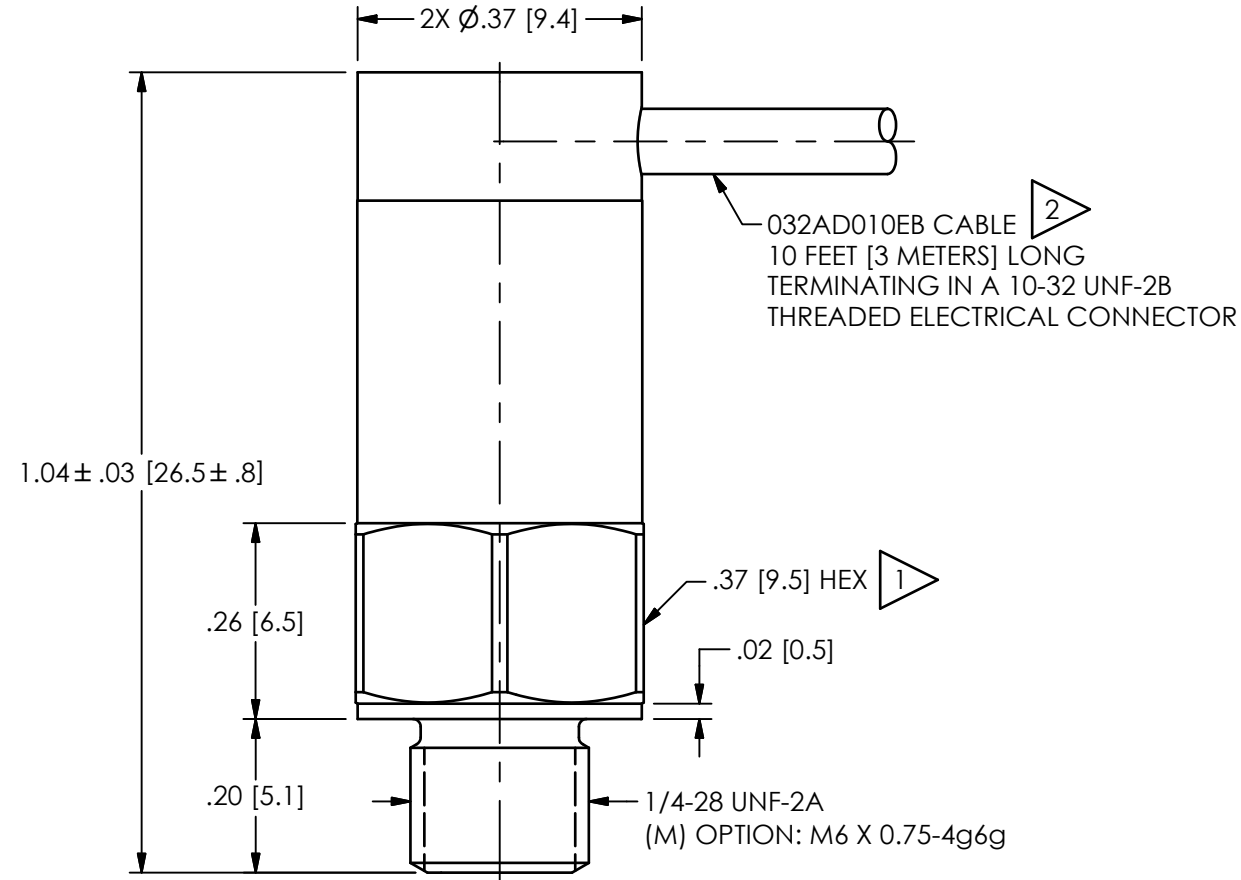


PCB Piezotronics Inc. claims proprietary rights in the information disclosed hereon. Neither it nor any reproduction thereof will be disclosed to others without the written consent of PCB Piezotronics Inc.

54363

REVISIONS

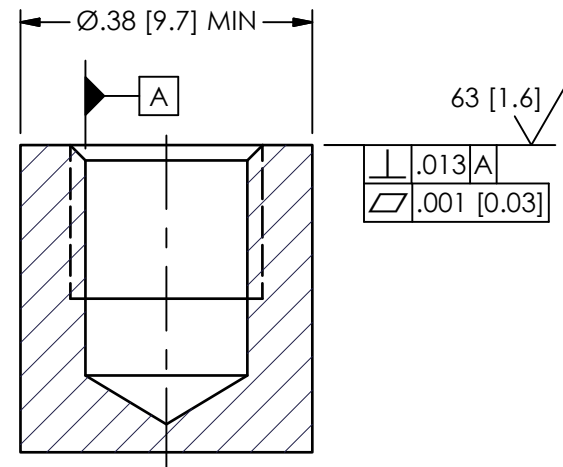
| REV | DESCRIPTION            | DIN   |
|-----|------------------------|-------|
| B   | UPDATED 1.04 DIMENSION | 42762 |



| PIN OUTS     |   |            |
|--------------|---|------------|
| FUNCTION     | 032                                     | EB         |
| SIGNAL/POWER | WHITE                                   | CENTER PIN |
| GROUND       | BLACK                                   | SHELL      |
| CASE         | SHIELD/GREEN OR WHITE WITH BLACK STRIPE | N/A        |

MOUNTING HOLE PREPARATION  
 $\varnothing$ .22 [5.4]  $\nabla$ .30 [7.6] MIN  
 1/4-28 UNF-3B  $\nabla$ .20 [5.1] MIN

(M) OPTION  
 $\varnothing$ .21 [5.9]  $\nabla$ .30 [7.6] MIN  
 M6 X 0.75-6H  $\nabla$ .20 [5.1] MIN



2 A LOW IMPEDANCE CONNECTION FROM SHIELD (GREEN WIRE) TO EARTH GROUND IS REQUIRED TO MAINTAIN **CE** COMPLIANCE.

1 RECOMMENDED MOUNTING TORQUE ON .37 [.95] HEX 2.5-4 FOOT POUNDS [2.8-3.4 Nm].

| UNLESS OTHERWISE SPECIFIED TOLERANCES ARE: |   | DRAWN   |        | CHECKED |        | ENGINEER |        |
|--|---|---|--------|---------|--------|----------|--------|
| DIMENSIONS IN INCHES                       | DIMENSIONS IN MILLIMETERS [IN BRACKETS] | JDM   | 4/1/14 | JDM     | 4/1/14 | BAM      | 4/1/14 |
| DECIMALS XX ±.01<br>XXX ±.005              | DECIMALS X ±.03<br>XX ±.013             | TITLE<br>INSTALLATION DRAWING<br>MECHANICALLY FILTERED<br>SHOCK ACCELEROMETER |        |         |        |          |        |
| ANGLES ± 2 DEGREES                         | ANGLES ± 2 DEGREES                      |   |        |         |        |          |        |
| FILLETS AND RADII<br>.003 - .005           | FILLETS AND RADII<br>0.07 - 0.13        |   |        |         |        |          |        |

**PCB PIEZOTRONICS™**

3425 WALDEN AVE. DEPEW, NY 14043  
 (716) 684-0001 E-MAIL: sales@pcb.com

CODE IDENT. NO. 52681  
 DWG. NO. 54363

SCALE: 4X SHEET 1 OF 1